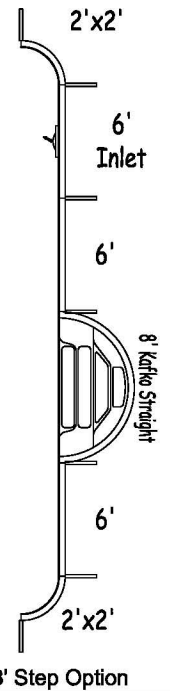
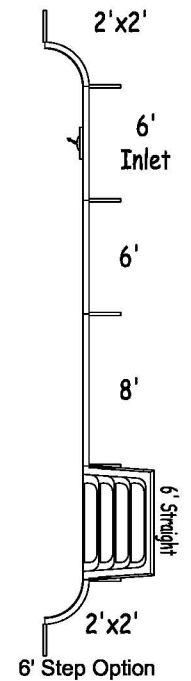


Steps Position



Steel
Bahama Full-L 20' x 42' Left

DWG #:
KASLS42-2042-8'H_07L

VOLUME (US Gal): 32 100

VOLUME (Litres): 121 600

AREA (SqFt): 957
LINER AREA (SqFt): 960
SAFETY COVER (SqFt): 1108

PERIMETER: 138'-10"
DATE: 1/01/2007
SCALE: Not to scale



DIVING/SLIDING EQUIPMENT SHALL BE DESIGNED FOR SWIMMING POOLS AND SHALL BE INSTALLED IN ACCORDANCE WITH THE DIVING/SLIDING EQUIPMENT MANUFACTURER'S SPECIFICATIONS. PLEASE CONTACT THE DIVING/SLIDING EQUIPMENT MANUFACTURER FOR THEIR SPECIFICATIONS.

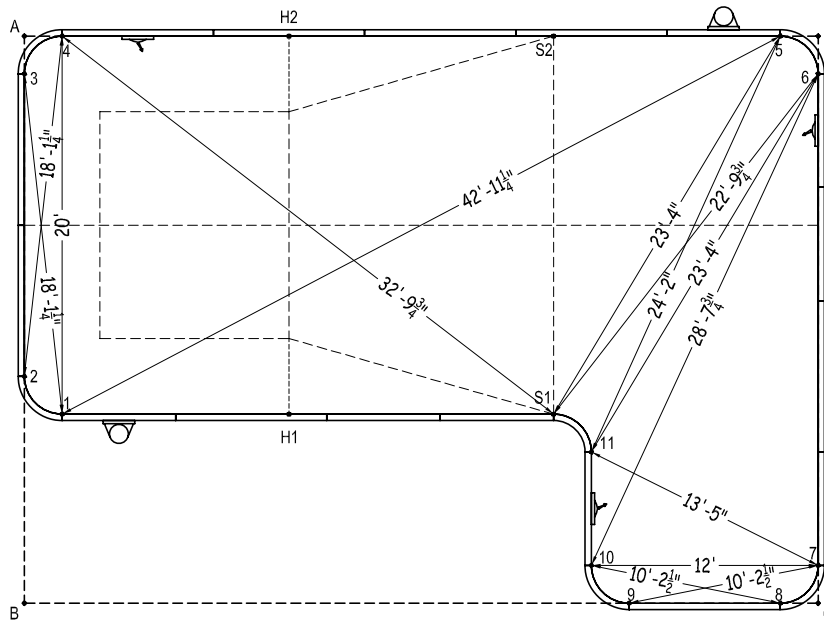
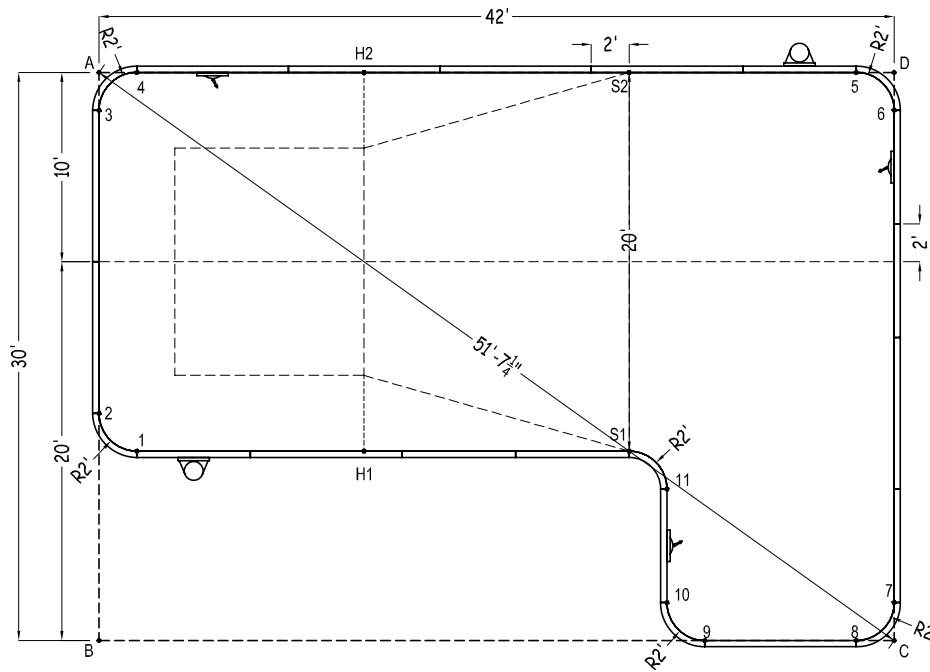
MEETS DEPTH AND SHAPE MINIMUM STANDARD ANSI/NSPI5-2003

Bahama Full-L

2007

No Step
6' Step
8' Step

Part number	Description	Qty	Qty	Qty
02-SP08	8' Plain	8	8	7
02-SI08	8' Inlet	1	1	1
02-SP06	6' Plain	4	3	4
02-SS06	6' Skimmer	2	2	2
02-SI06	6' Inlet	2	2	2
02-RB	Rev.2'x2'	1	1	1
02-CB	2'x2'	5	5	5
	6' Straight Step	-	1	-
	8' Kafko Straight Step	-	-	1
A-Frame	A-Frame Multiplier	23	23	23
15-0632-9	Optional Deck Supports	66	64	63



	A	B	C	D
1	20'-1 1/4"	10'-2 1/2"	41'-2 3/4"	44'-8 3/4"
2	18'	12'	43'-8 1/4"	45'-8 1/4"
3	2'	28'	50'-5 3/4"	42'-0 1/2"
4	2'	30'-0 3/4"	50'	40'
5	40'	50'	30'-0 3/4"	2'
6	42'-0 1/2"	50'-5 3/4"	28'	2'
7	50'-5 3/4"	42'-0 1/2"	2'	28'
8	50'	40'	2'	30'-0 3/4"
9	43'-10 1/4"	32'	10'	31'-7 1/2"
10	41'-0 1/2"	30'-0 3/4"	12'-2"	30'-5 1/2"
11	37'-2 1/2"	31'-0 1/2"	14'-5"	25'-0 3/4"
H1	24'-5"	17'-2 1/2"	29'-8 3/4"	34'-5"
H2	14'	33'-1 1/4"	41'-0 1/2"	28'
S1	34'-5"	29'-8 3/4"	17'-2 1/2"	24'-5"
S2	28'	41'-0 1/2"	33'-1 1/4"	14'
A	-	30'	51'-7 1/4"	42'