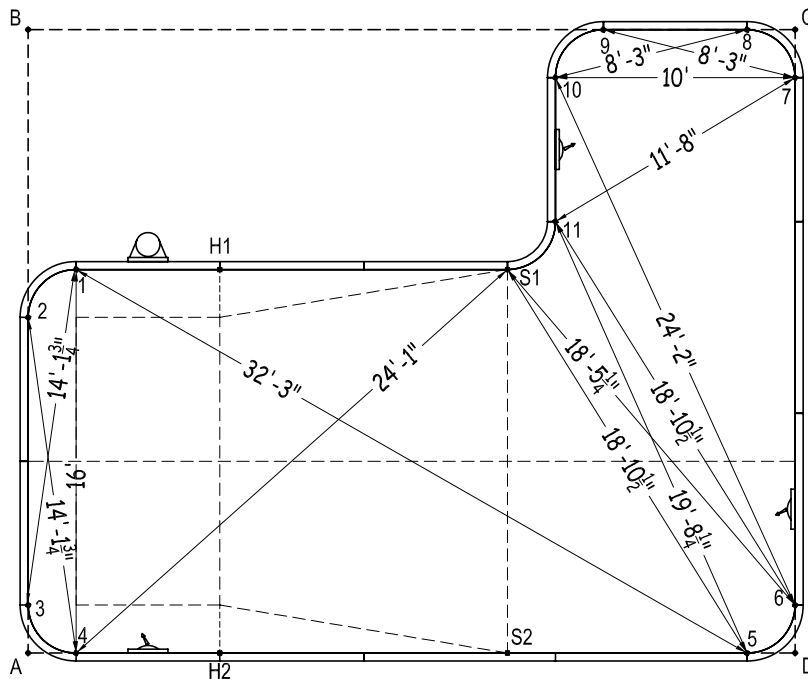
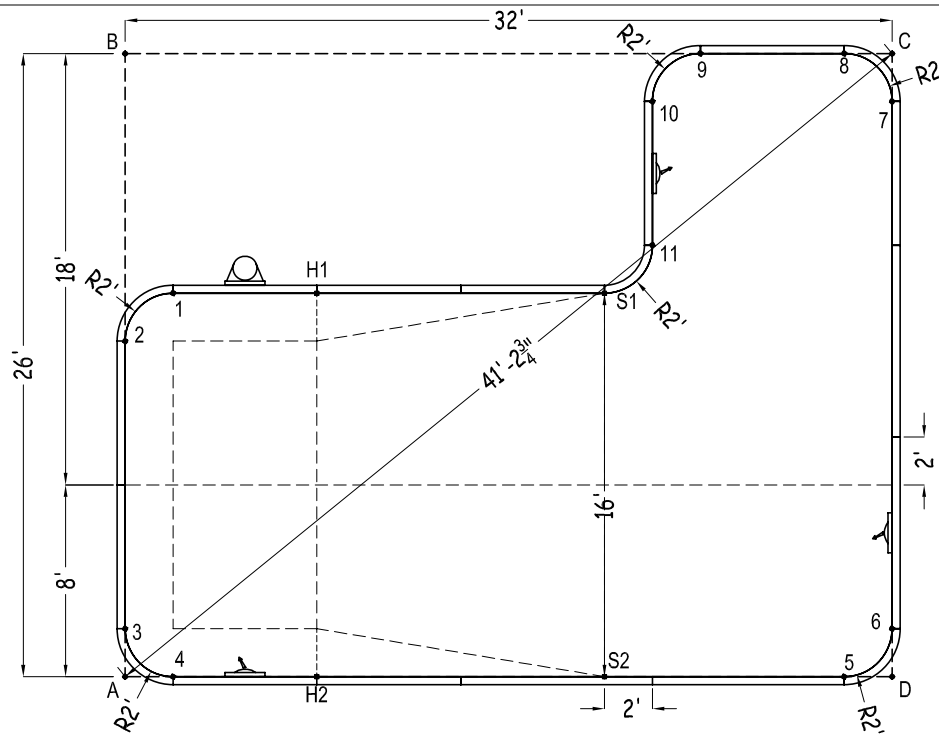


	Steel	
	Bahama Full-L 16' x 32' Right	
	AREA (SqFt): 609	PERIMETER: 110'-10"
	VOLUME (US Gal): 16 800	DATE: 1/01/2007
VOLUME (Litres): 63 600	SAFETY COVER (SqFt): 732	SCALE: 1/8" = 1'

NON-DIVING POOL
USE OF DIVING EQUIPMENT IS PROHIBITED

MEETS DEPTH AND SHAPE MINIMUM STANDARD ANSI/NSPI5-2003

Bahama Full-L



2007

Part number	Description	Step			
		No Step	6' Step	8' Step	
02-SP08	8' Plain		3	3	2
02-SI08	8' Inlet		1	1	1
02-SP06	6' Plain		7	6	7
02-SS06	6' Skimmer		1	1	1
02-SI06	6' Inlet		2	2	2
02-RB	Rev.2'x2'		1	1	1
02-CB	2'x2'		5	5	5
	6' Straight Step		-	1	-
	8' Kafko Straight Step		-	-	1
A-Frame	A-Frame Multiplier		20	20	20
15-0632-9	Optional Deck Supports		52	50	49

	A	B	C	D
1	16'-1 1/2"	10'-2 1/2"	31'-7 1/2"	34'
2	14'	12'	34'-2"	34'-11 1/4"
3	2'	24'	40'	32'-0 3/4"
4	2'	26'-1"	39'-8 1/2"	30'
5	30'	39'-8 1/2"	26'-1"	2'
6	32'-0 3/4"	40'	24'	2'
7	40'	32'-0 3/4"	2'	24'
8	39'-8 1/2"	30'	2'	26'-1"
9	35'-4 1/2"	24'	8'	27'-2 1/2"
10	32'-6 3/4"	22'-1"	10'-2 1/2"	26'
11	28'-5"	23'-5"	12'-9 3/4"	20'-7"
H1	17'-10 3/4"	12'-9 3/4"	26'	28'-10 1/4"
H2	8'	27'-2 1/2"	35'-4 1/2"	24'
S1	25'-7 1/4"	22'-4 1/4"	15'-7 1/2"	20'
S2	20'	32'-9 3/4"	28'-7 3/4"	12'
A	-	26'	41'-2 3/4"	32'