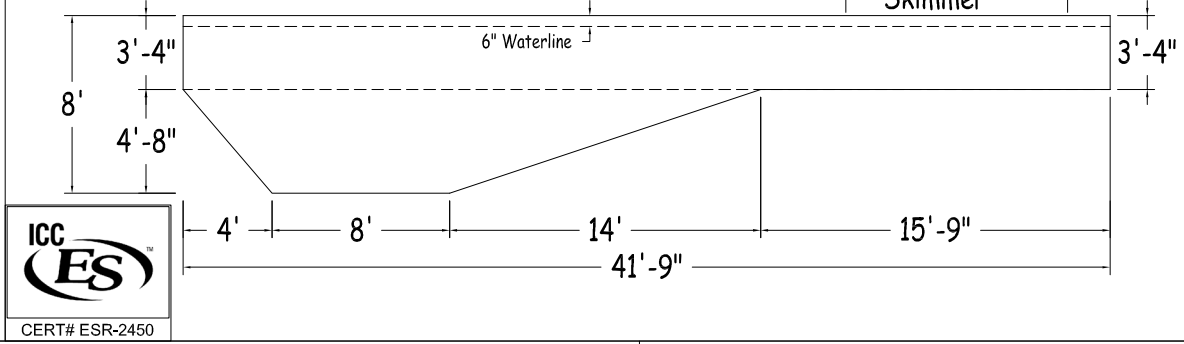
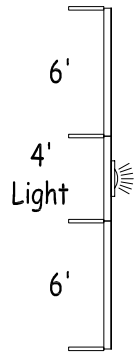


Light Option



KP2-CT24S2042 - Multi-Flex 42

Modesto 20' x 42'

DWG #: KP2CT24S2042-10	AREA (SqFt): 960	PERIMETER: 137'-7"
VOLUME (US Gal): 30 900	LINER AREA (SqFt): 964	DATE: 1/Jan/2010
VOLUME (Litres): 117 100	SAFETY COVER (SqFt): 1155	SCALE: N/A



DIVING/SLIDING EQUIPMENT SHALL BE DESIGNED FOR SWIMMING POOLS AND SHALL BE INSTALLED IN ACCORDANCE WITH THE DIVING/SLIDING EQUIPMENT MANUFACTURER'S SPECIFICATIONS. PLEASE CONTACT THE DIVING/SLIDING EQUIPMENT MANUFACTURER FOR THEIR SPECIFICATIONS.

MEETS DEPTH AND SHAPE MINIMUM STANDARD ANSI/NSPI5-2003

Modesto

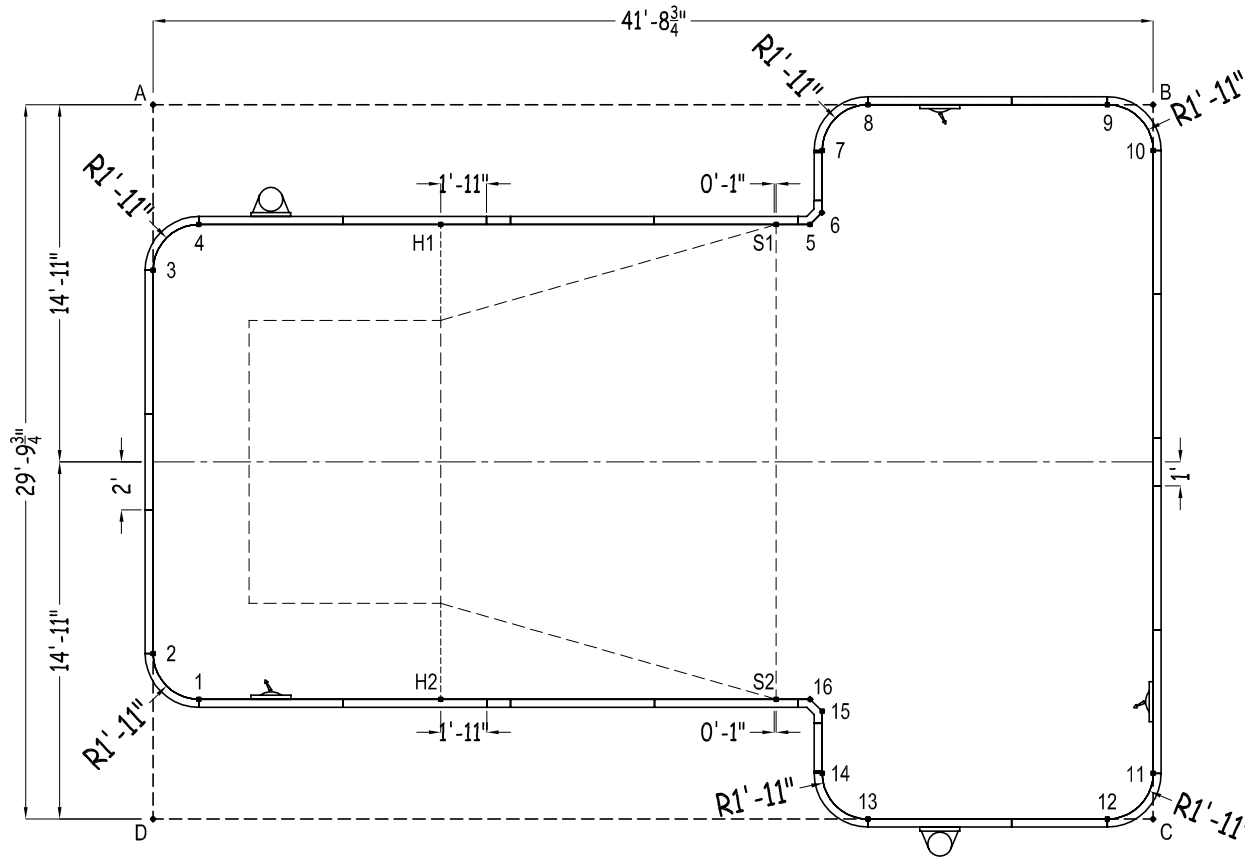
Step Option 2

Diagonals	7 To 10	13'-9 3/4"	
1 To 3	18'	7 To 11	29'-5 1/4"
1 To 4	19'-9 3/4"	8 To 10	12'-0 3/4"
1 To 5	32'-3 1/2"	8 To 13	29'-9 3/4"
1 To 9	45'-3 3/4"	9 To 12	29'-9 3/4"
2 To 4	18'	10 To 14	29'-5 1/4"
4 To 12	45'-3 3/4"	10 To 15	27'-2"
4 To 16	32'-3 1/2"	10 To 16	27'
5 To 11	27'-0 1/4"	11 To 13	12'-0 3/4"
5 To 15	20'-3 3/4"	11 To 14	13'-9 3/4"
5 To 16	19'-9 3/4"	11 To 15	14'-0 3/4"
6 To 10	14'-0 3/4"	12 To 14	12'-0 3/4"
6 To 11	27'-2 1/4"		
6 To 16	20'-3 3/4"		
7 To 9	12'-0 3/4"		

2010

No Step
Option 1
Option 2

Part number	Description	Qty	Qty	Qty
PN8000601	6' Plain	14	12	12
PN8000401	4' Plain	3	5	3
PN8000301	3' Plain	-	-	2
PN8000201	2' Plain	3	2	2
PN8000101	1' Plain	2	2	2
PN8030001	0'-1" Spacer	2	2	2
PN8000633	6' Skimmer	2	2	2
PN8010034	Multi-flex	6	5	5
PNSCR88	Strap 88	12	10	10
	6' Straight Step	-	1	-
	8' Straight Step	-	-	1
PN8002004	1' X 1' 90° Rev. Angle	2	2	2
PN8031001	Resin Brace (Long Stake)	30	29	29



	A	B	C	D
1	24'-10 3/4"	46'-11"	40'-1 1/2"	5'-4 1/4"
2	22'-10 3/4"	47'-7 1/4"	42'-3 1/2"	6'-11"
3	6'-11"	42'-3 1/2"	47'-7 1/4"	22'-10 3/4"
4	5'-4 1/4"	40'-1 1/2"	46'-11"	24'-10 3/4"
5	27'-10 1/4"	15'-2"	28'-7 3/4"	36'-11 3/4"
6	28'-3 1/4"	14'-6 1/2"	28'-10"	37'-8 1/4"
7	27'-11 3/4"	13'-11 1/4"	31'-1 1/2"	39'-5 3/4"
8	29'-10"	11'-10 3/4"	32'-1 1/4"	42'-2"
9	39'-9 3/4"	1'-11"	29'-10 1/2"	49'-9"
10	41'-9 1/4"	1'-11"	27'-10 3/4"	50'-2 1/2"
11	50'-2 1/2"	27'-10 3/4"	1'-11"	41'-9 1/4"
12	49'-9"	29'-10 1/2"	1'-11"	39'-9 3/4"
13	42'-2"	32'-1 1/4"	11'-10 3/4"	29'-10"
14	39'-5 3/4"	31'-1 1/2"	13'-11 1/4"	27'-11 3/4"
15	37'-8 1/4"	28'-10"	14'-6 1/4"	28'-3 1/4"
16	36'-11 3/4"	28'-7 3/4"	15'-2"	27'-10 1/2"
H1	13'	30'-1 3/4"	38'-8 3/4"	27'-6 3/4"
H2	27'-6 3/4"	38'-8 3/4"	30'-1 3/4"	13'
S1	26'-5 3/4"	16'-6"	29'-4 1/2"	35'-11 1/4"
S2	35'-11 1/4"	29'-4 1/2"	16'-6"	26'-5 3/4"
A	-	41'-8 3/4"	51'-3 1/2"	29'-9 3/4"