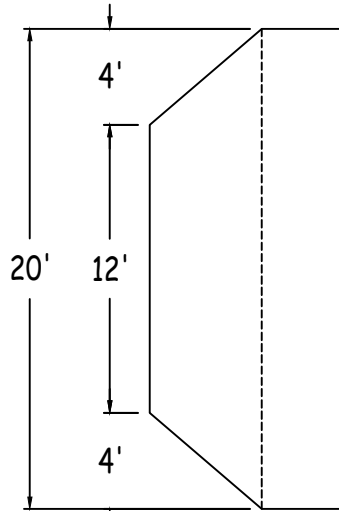
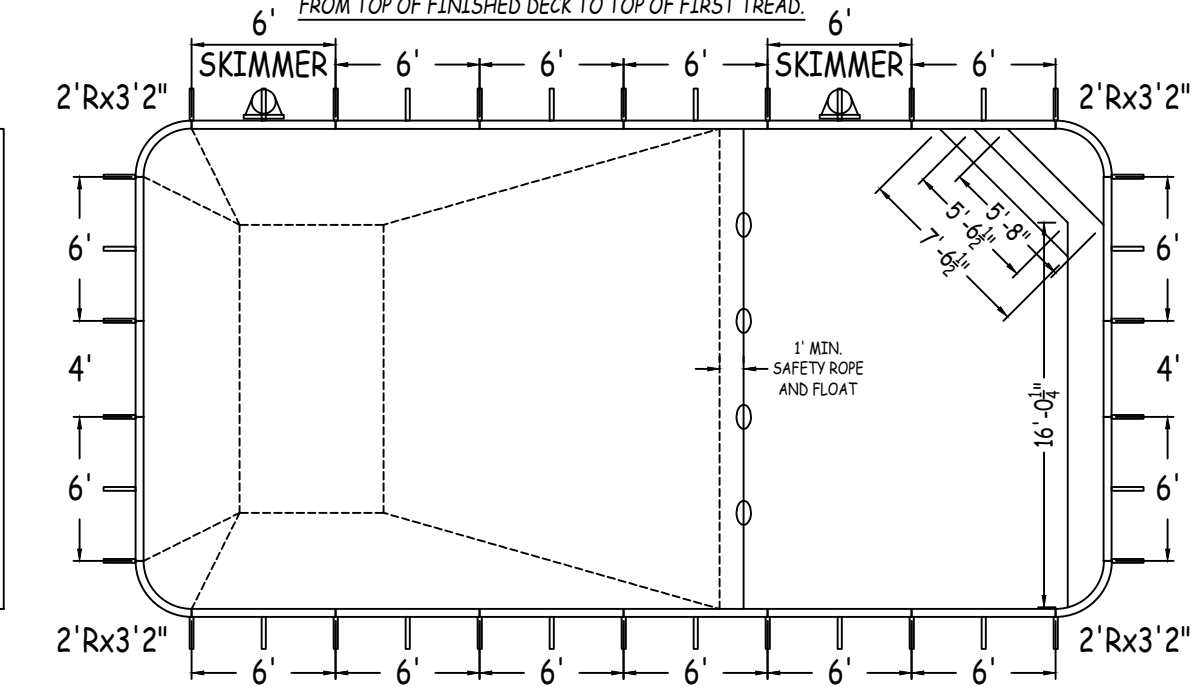


IN ACCORDANCE WITH ANSI/APSP/ICC-5 2011, THE INSTALLER IS RESPONSIBLE FOR PLACING ONE SKIMMER FOR EVERY 800 SQUARE FEET OF SURFACE AREA AND ONE RETURN FOR EVERY 300 SQUARE FEET OF SURFACE AREA.

STEP RISERS MUST NOT EXCEED A MAXIMUM HEIGHT OF 12".  
THE TOP RISER MUST NOT EXCEED A MAXIMUM HEIGHT OF 12"  
FROM TOP OF FINISHED DECK TO TOP OF FIRST TREAD.

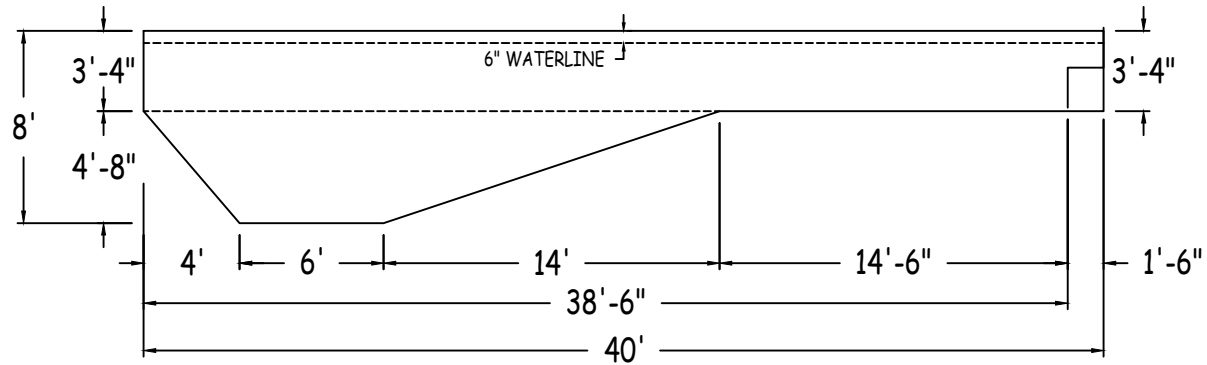


NOTE:  
STEP & BENCH ARE CONCRETE  
TO BE POURED BY BUILDER.



STEP DETAIL  
R1=10" T1=24"  
R2=10" T2=12"  
R3=10" T3=12"  
R4=10"

BENCH DETAIL  
R1=20" T1=18"  
R2=20"



**GRAPHX**  
POOL SYSTEMS

RECTANGLE 2FT RAD 20-0 x 40-0

42" FIXED POLYMER PANELS	PERIMETER:	116'-7"	VOLUME (US Gal):	26200
DWG#:	SURFACE (ft²):	797	VOLUME (Liters):	99200
2022-PPL-04760	LINER (ft²):	770	DATE:	2/1/2022
KIT#:	COVER (ft²):	924	DSR:	
CUSTOMKIT			SCALE:	1/8" = 1'-0"



DIVING/SLIDING EQUIPMENT SHALL BE DESIGNED FOR SWIMMING POOLS AND SHALL BE INSTALLED IN ACCORDANCE WITH THE DIVING/SLIDING EQUIPMENT MANUFACTURER'S SPECIFICATIONS. PLEASE CONTACT THE DIVING/SLIDING EQUIPMENT MANUFACTURER FOR THEIR SPECIFICATIONS.

CUSTOMER: PENGUIN POOL

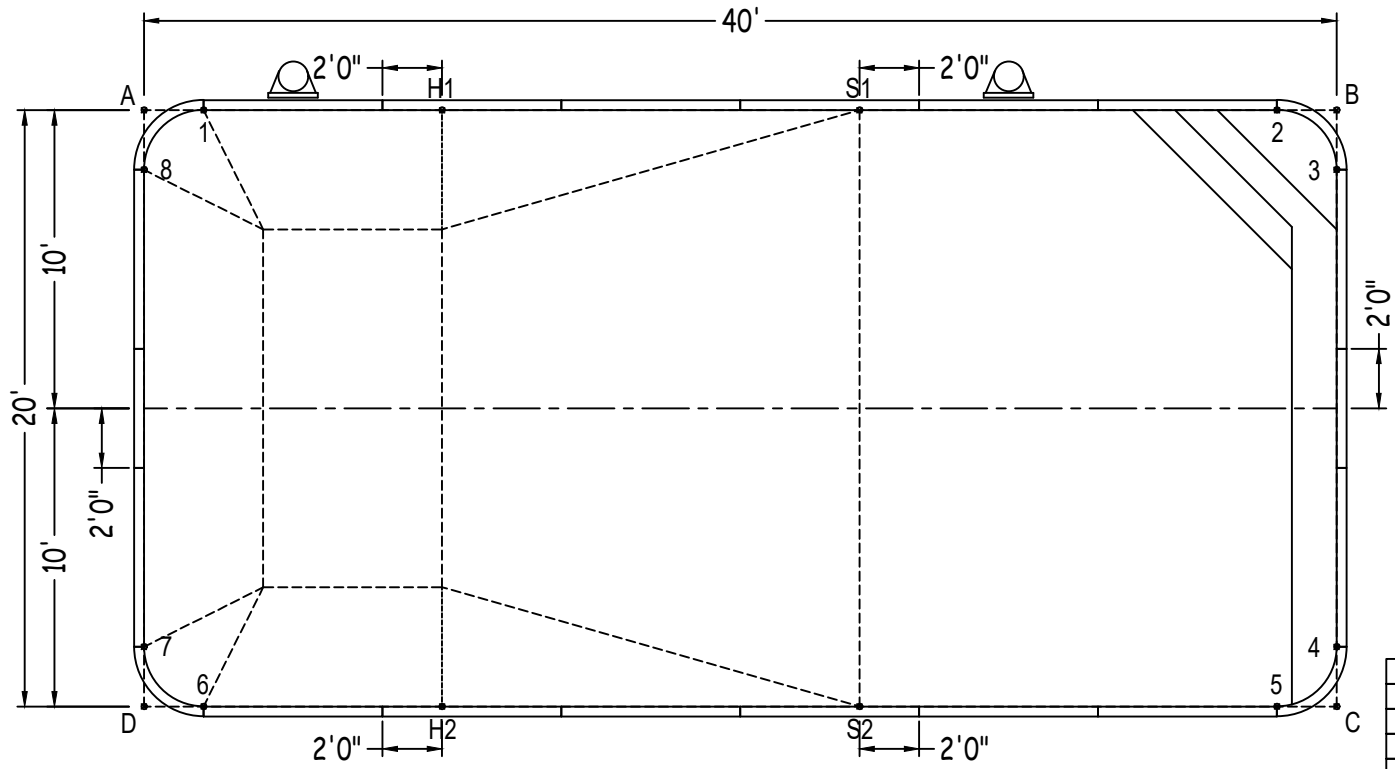
JOB NAME: PENGUIN POOLS

ALL ASPECTS OF THIS DRAWING COMPLIES WITH ANSI/APSP/ICC-5 2011 AND 2015 ISPSC

**RECTANGLE**

Diagonals	1 to 2	36'-0"	2 to 3	2'-10"	3 to 5	18'-1 1/4"	4 to 8	43'-1"
S1toS2	1 to 3	38'- 3/4"	2 to 4	18'-1 1/4"	3 to 6	42'- 1/2"	5 to 6	36'-0"
H1toH2	1 to 4	42'- 1/2"	2 to 5	20'-0"	3 to 7	43'-1"	5 to 7	38'- 3/4"
S1toH1	1 to 5	41'-2 1/4"	2 to 6	41'-2 1/4"	3 to 8	40'-0"	5 to 8	42'- 1/2"
S2toH2	1 to 6	20'-0"	2 to 7	42'- 1/2"	4 to 5	2'-10"	6 to 7	2'-10"
S1toH2	1 to 7	18'-1 1/4"	2 to 8	38'- 3/4"	4 to 6	38'- 3/4"	6 to 8	18'-1 1/4"
H1toS2	1 to 8	2'-10"	3 to 4	16'-0"	4 to 7	40'-0"	7 to 8	16'-0"

		Base
Part number	Description	QTY
GPG-ST0720000X	6'	14
GPG-ST0720000*	6' SKIMMER	2
GPG-ST0480000X	4'	2
GPG-CN0380240X	2'Rx3'2"	4
Brace	Brace	38
PPC-HWNFP03-25	QUICK LOCK FASTENER PKG (25)	10
PPC-HW101	HDR PKG N/B (35) 3/8"x16x1" ZP G2	2
IPC-STKPK25	REBAR STAKE 18" 25PC	3



	A	B	C	D
1	2'-0"	38'-0"	42'-11 1/4"	20'-1 1/4"
2	38'-0"	2'-0"	20'-1 1/4"	42'-11 1/4"
3	40'- 1/2"	2'-0"	18'-0"	43'-10 1/4"
4	43'-10 1/4"	18'-0"	2'-0"	40'- 1/2"
5	42'-11 1/4"	20'-1 1/4"	2'-0"	38'-0"
6	20'-1 1/4"	42'-11 1/4"	38'-0"	2'-0"
7	18'-0"	43'-10 1/4"	40'- 1/2"	2'-0"
8	2'-0"	40'- 1/2"	43'-10 1/4"	18'-0"
S2	31'-3"	25'-7 1/4"	16'-0"	24'-0"
S1	24'-0"	16'-0"	25'-7 1/4"	31'-3"
H2	22'-4 1/4"	36'- 3/4"	30'-0"	10'-0"
H1	10'-0"	30'-0"	36'- 3/4"	22'-4 1/4"
A	-	40'-0"	44'-8 3/4"	20'-0"

RECTANGLE 2FT RAD 20-0 X 40-0

DWG #: 2022-PPL-04760

DATE: 2/1/2022

SHEET: 2 OF 2