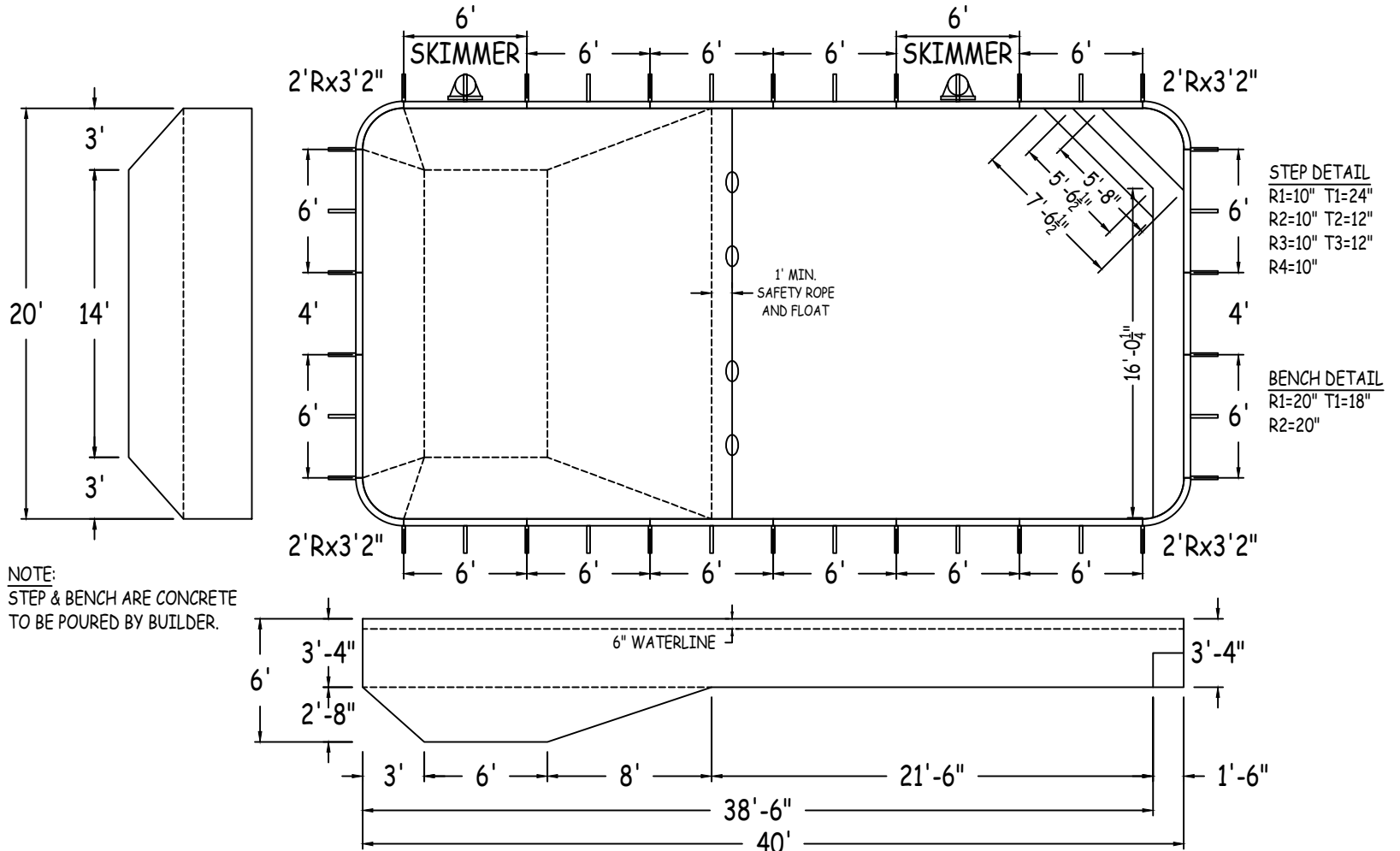


IN ACCORDANCE WITH ANSI/APSP/ICC-5 2011, THE INSTALLER IS RESPONSIBLE FOR PLACING ONE SKIMMER FOR EVERY 800 SQUARE FEET OF SURFACE AREA AND ONE RETURN FOR EVERY 300 SQUARE FEET OF SURFACE AREA.

STEP RISERS MUST NOT EXCEED A MAXIMUM HEIGHT OF 12".  
THE TOP RISER MUST NOT EXCEED A MAXIMUM HEIGHT OF 12" FROM TOP OF FINISHED DECK TO TOP OF FIRST TREAD.

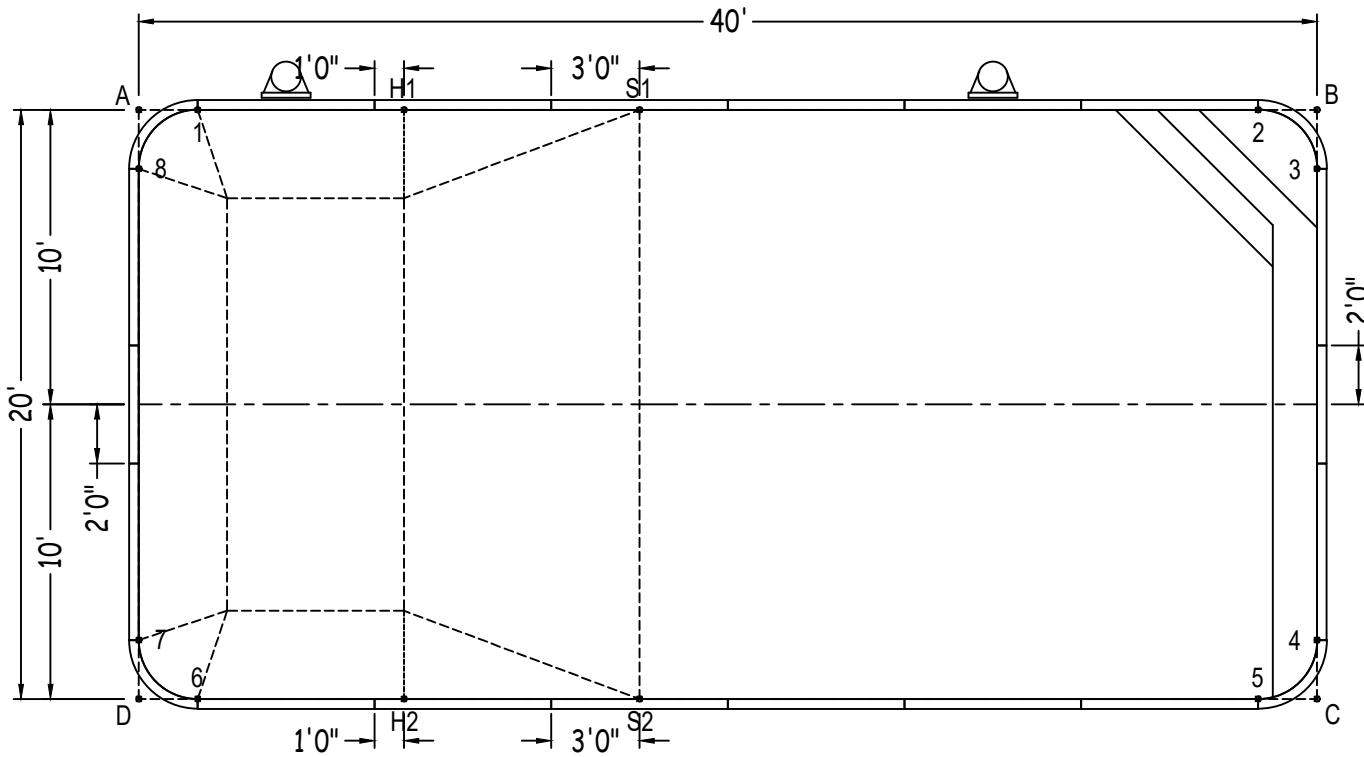


<b>GRAPHHEX</b> <b>POOL SYSTEMS</b> 42" FIXED POLYMER PANELS	<b>RECTANGLE 2FT RAD 20-0 x 40-0</b>				ALWAYS ENTER POOL  <b>Foot First</b>	<b>NON-DIVING POOL</b> USE OF DIVING EQUIPMENT IS PROHIBITED	CUSTOMER: PENGUIN POOL JOB NAME: PENGUIN POOLS
	DWG#:	PERIMETER:	VOLUME (US Gal):				
2022-PPL-04673	SURFACE (ft²):	797	VOLUME (Liters):	84000			
KIT#:	LINER (ft²):	770	DATE:	1/31/2022	DSR:		
CUSTOMKIT	COVER (ft²):	924	SCALE:	1/8" = 1'-0"			
ALL ASPECTS OF THIS DRAWING COMPLIES WITH ANSI/APSP/ICC-5 2011 AND 2015 ISPSC						SHEET: 1 OF 2	

**RECTANGLE**

Diagonals	1 to 2	36'-0"	2 to 3	2'-10"	3 to 5	18'-1 1/4"	4 to 8	43'-1"	
S1toS2	1 to 3	38'- 3/4"	2 to 4	18'-1 1/4"	3 to 6	42'- 1/2"	5 to 6	36'-0"	
H1toH2	1 to 4	42'- 1/2"	2 to 5	20'-0"	3 to 7	43'-1"	5 to 7	38'- 3/4"	
S1toH1	8'-0"	41'-2 1/4"	2 to 6	41'-2 1/4"	3 to 8	40'-0"	5 to 8	42'- 1/2"	
S2toH2	8'-0"	20'-0"	2 to 7	42'- 1/2"	4 to 5	2'-10"	6 to 7	2'-10"	
S1toH2	21'-6 1/2"	18'-1 1/4"	2 to 8	38'- 3/4"	4 to 6	38'- 3/4"	6 to 8	18'-1 1/4"	
H1toS2	21'-6 1/2"	1 to 8	2'-10"	3 to 4	16'-0"	4 to 7	40'-0"	7 to 8	16'-0"

		Base
Part number	Description	QTY
GPG-ST0720000X	6'	14
GPG-ST0720000*	6' SKIMMER	2
GPG-ST0480000X	4'	2
GPG-CN0380240X	2'Rx3'2"	4
Brace	Brace	38
PPC-HWNFP03-25	QUICK LOCK FASTENER PKG (25)	10
PPC-HW101	HDR PKG N/B (35) 3/8"x16x1" ZP G2	2
IPC-STKPK25	REBAR STAKE 18" 25PC	3



	A	B	C	D
1	2'-0"	38'-0"	42'-11 1/4"	20'-1 1/4"
2	38'-0"	2'-0"	20'-1 1/4"	42'-11 1/4"
3	40'- 1/2"	2'-0"	18'-0"	43'-10 1/4"
4	43'-10 1/4"	18'-0"	2'-0"	40'- 1/2"
5	42'-11 1/4"	20'-1 1/4"	2'-0"	38'-0"
6	20'-1 1/4"	42'-11 1/4"	38'-0"	2'-0"
7	18'-0"	43'-10 1/4"	40'- 1/2"	2'-0"
8	2'-0"	40'- 1/2"	43'-10 1/4"	18'-0"
S2	26'-3"	30'-5 3/4"	23'-0"	17'-0"
S1	17'-0"	23'-0"	30'-5 3/4"	26'-3"
H2	21'-11 1/4"	36'-10 3/4"	31'-0"	9'-0"
H1	9'-0"	31'-0"	36'-10 3/4"	21'-11 1/4"
A	-	40'-0"	44'-8 3/4"	20'-0"