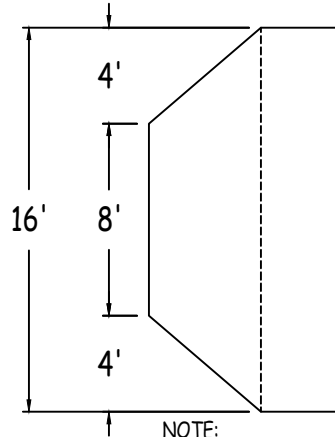
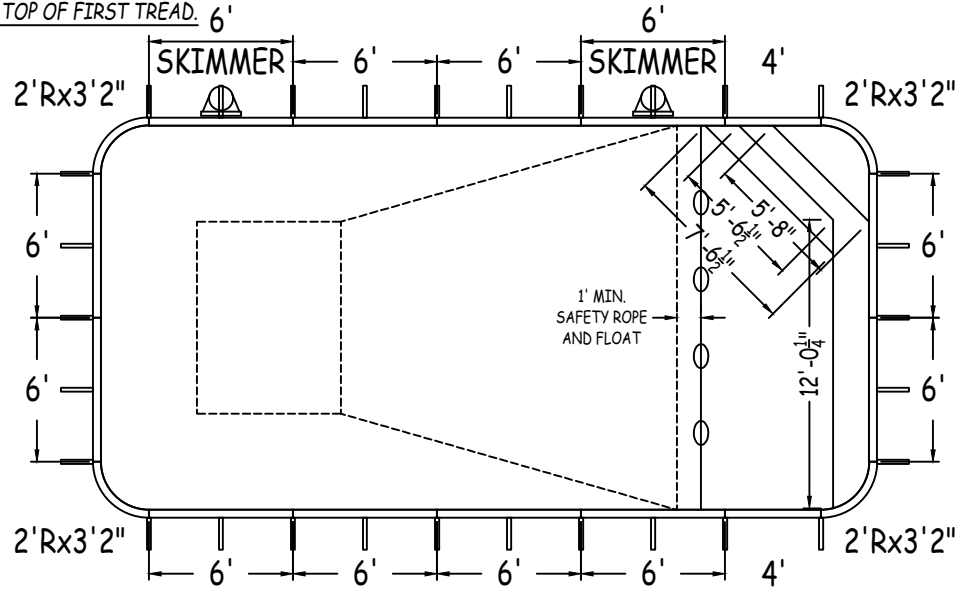


IN ACCORDANCE WITH ANSI/APSP/ICC-5 2011, THE INSTALLER IS RESPONSIBLE FOR PLACING ONE SKIMMER FOR EVERY 800 SQUARE FEET OF SURFACE AREA AND ONE RETURN FOR EVERY 300 SQUARE FEET OF SURFACE AREA.

STEP RISERS MUST NOT EXCEED A MAXIMUM HEIGHT OF 12".
 THE TOP RISER MUST NOT EXCEED A MAXIMUM HEIGHT OF 12"
 FROM TOP OF FINISHED DECK TO TOP OF FIRST TREAD. 6'

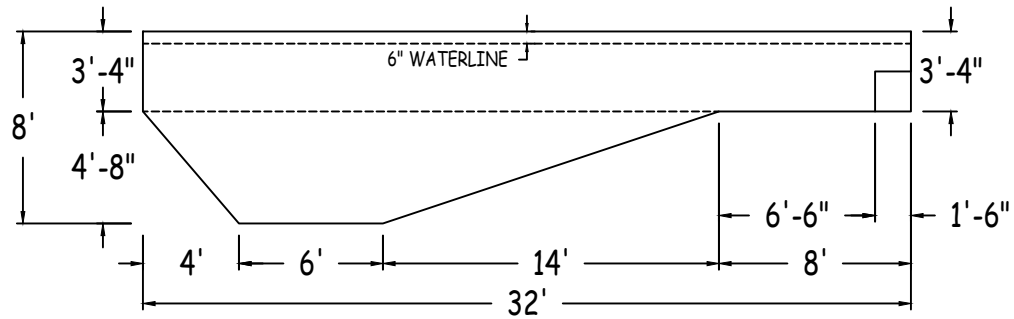


NOTE:
 STEP & BENCH ARE CONCRETE
 TO BE POURED BY BUILDER.



STEP DETAIL
 R1=10" T1=24"
 R2=10" T2=12"
 R3=10" T3=12"
 R4=10"

BENCH DETAIL
 R1=20" T1=18"
 R2=20"



GRAPHX
POOL SYSTEMS

RECTANGLE 2FT RAD 16-0 x 32-0

42" FIXED POLYMER PANELS	PERIMETER:	92'-7"	VOLUME (US Gal):	16700
DWG#:	SURFACE (ft²):	509	VOLUME (Liters):	63200
2022-PPL-04766	LINER (ft²):	488	DATE:	2/1/2022
KIT#:	COVER (ft²):	612	DSR:	
CUSTOMKIT			SCALE:	1/8" = 1'-0"



DIVING/SLIDING EQUIPMENT SHALL BE DESIGNED FOR SWIMMING POOLS AND SHALL BE INSTALLED IN ACCORDANCE WITH THE DIVING/SLIDING EQUIPMENT MANUFACTURER'S SPECIFICATIONS. PLEASE CONTACT THE DIVING/SLIDING EQUIPMENT MANUFACTURER FOR THEIR SPECIFICATIONS.

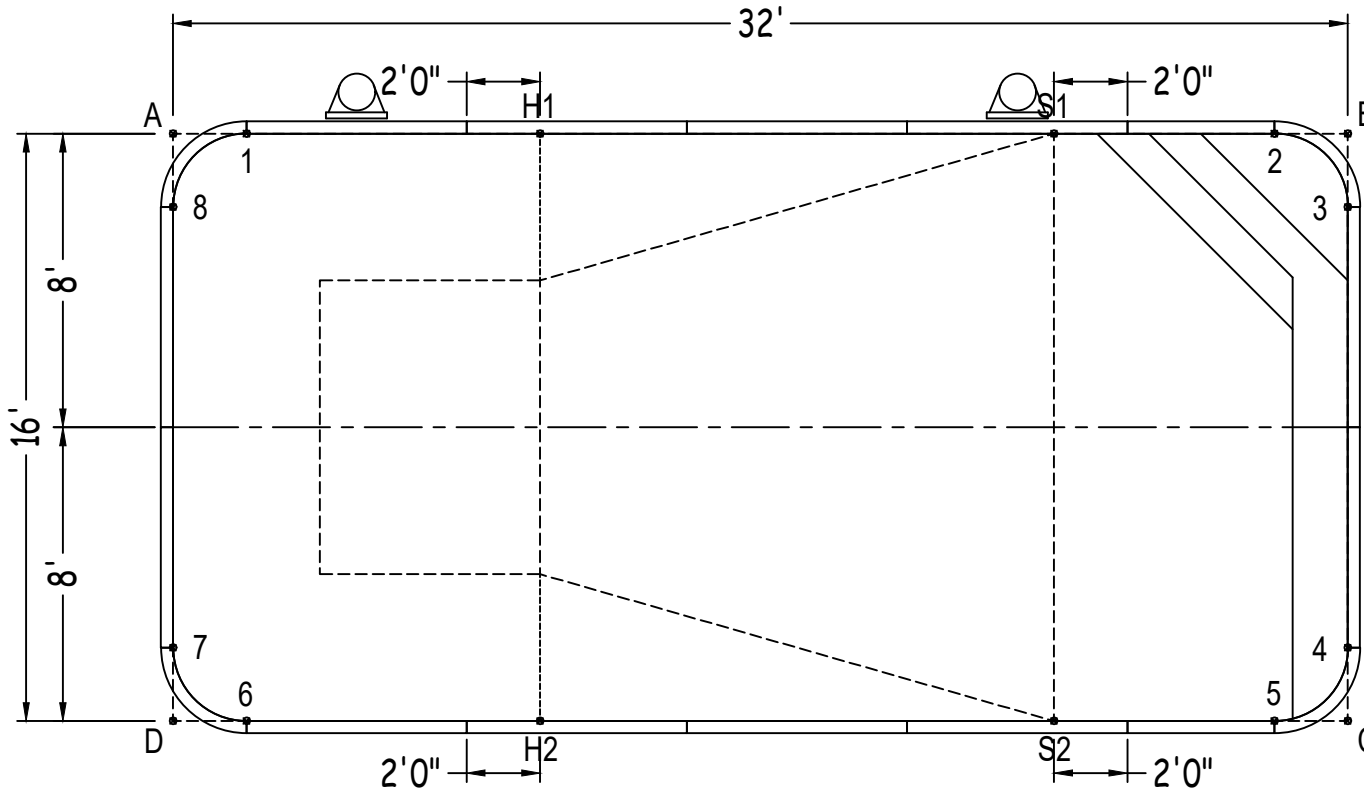
CUSTOMER: PENGUIN POOL
 JOB NAME: PENGUIN POOL

ALL ASPECTS OF THIS DRAWING COMPLIES WITH ANSI/APSP/ICC-5 2011 AND 2015 ISPSC

RECTANGLE

Diagonals	1 to 2	28'-0"	2 to 3	2'-10"	3 to 5	14'-1 3/4"	4 to 8	34'-2"
S1toS2	1 to 3	30'- 3/4"	2 to 4	14'-1 3/4"	3 to 6	33'-1 1/4"	5 to 6	28'-0"
H1toH2	1 to 4	33'-1 1/4"	2 to 5	16'-0"	3 to 7	34'-2"	5 to 7	30'- 3/4"
S1toH1	1 to 5	32'-3"	2 to 6	32'-3"	3 to 8	32'-0"	5 to 8	33'-1 1/4"
S2toH2	1 to 6	16'-0"	2 to 7	33'-1 1/4"	4 to 5	2'-10"	6 to 7	2'-10"
S1toH2	1 to 7	14'-1 3/4"	2 to 8	30'- 3/4"	4 to 6	30'- 3/4"	6 to 8	14'-1 3/4"
H1toS2	1 to 8	2'-10"	3 to 4	12'-0"	4 to 7	32'-0"	7 to 8	12'-0"

		Base
Part number	Description	QTY
GPG-ST0720000X	6'	10
GPG-ST0720000*	6' SKIMMER	2
GPG-ST0480000X	4'	2
GPG-CN0380240X	2'Rx3'2"	4
Brace	Brace	30
PPC-HWNFP03-25	QUICK LOCK FASTENER PKG (25)	8
PPC-HW101	HDR PKG N/B (35) 3/8"x16x1" ZP G2	1
IPC-STKPK25	REBAR STAKE 18" 25PC	2



	A	B	C	D
1	2'-0"	30'-0"	34'-0"	16'-1 1/2"
2	30'-0"	2'-0"	16'-1 1/2"	34'-0"
3	32'- 3/4"	2'-0"	14'-0"	34'-11 1/4"
4	34'-11 1/4"	14'-0"	2'-0"	32'- 3/4"
5	34'-0"	16'-1 1/2"	2'-0"	30'-0"
6	16'-1 1/2"	34'-0"	30'-0"	2'-0"
7	14'-0"	34'-11 1/4"	32'- 3/4"	2'-0"
8	2'-0"	32'- 3/4"	34'-11 1/4"	14'-0"
S2	28'-10 1/4"	17'-10 3/4"	8'-0"	24'-0"
S1	24'-0"	8'-0"	17'-10 3/4"	28'-10 1/4"
H2	18'-10 1/2"	27'-2 1/2"	22'-0"	10'-0"
H1	10'-0"	22'-0"	27'-2 1/2"	18'-10 1/2"
A	-	32'-0"	35'-9 1/4"	16'-0"