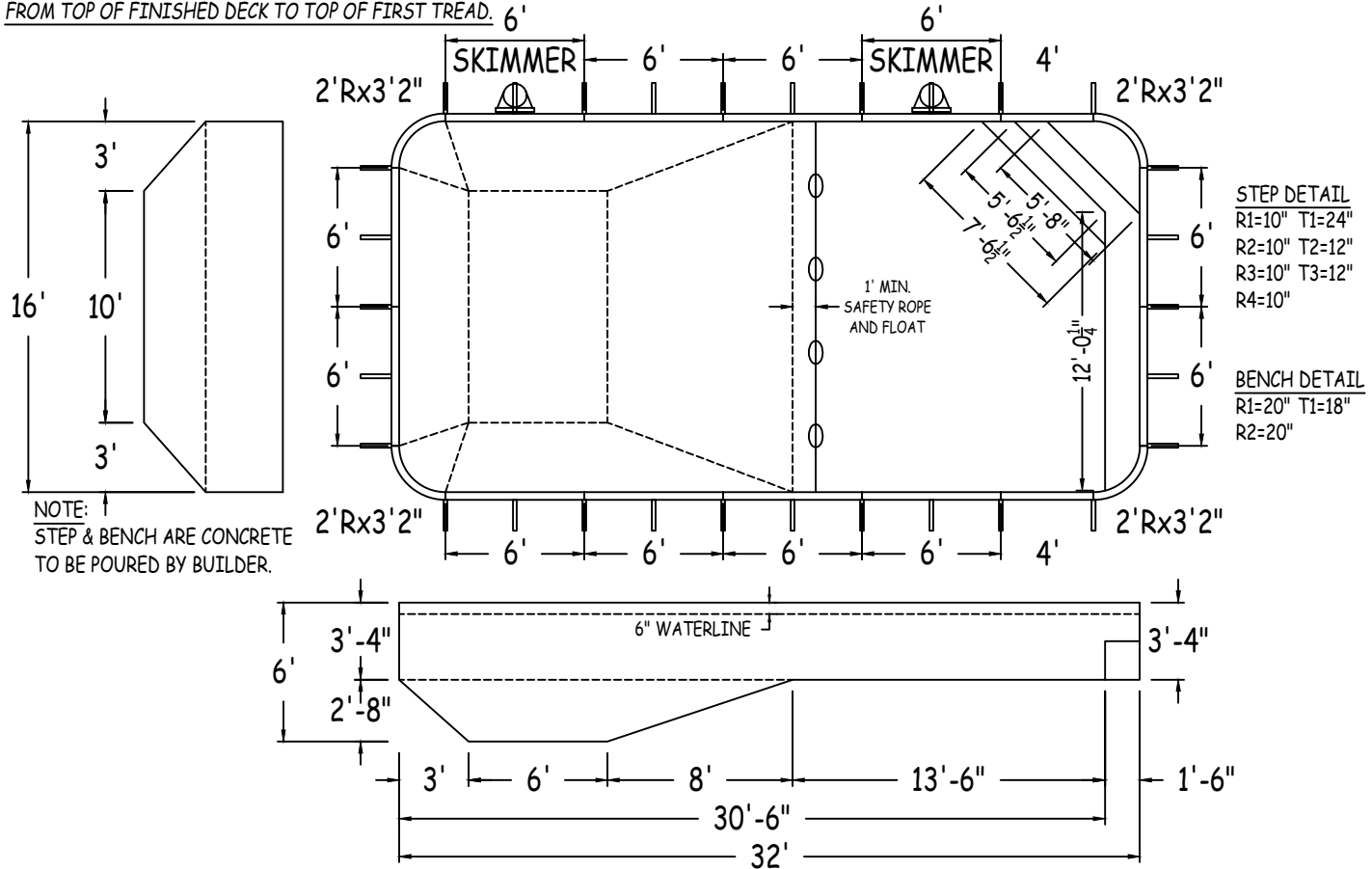


IN ACCORDANCE WITH ANSI/APSP/ICC-5 2011, THE INSTALLER IS RESPONSIBLE FOR PLACING ONE SKIMMER FOR EVERY 800 SQUARE FEET OF SURFACE AREA AND ONE RETURN FOR EVERY 300 SQUARE FEET OF SURFACE AREA.

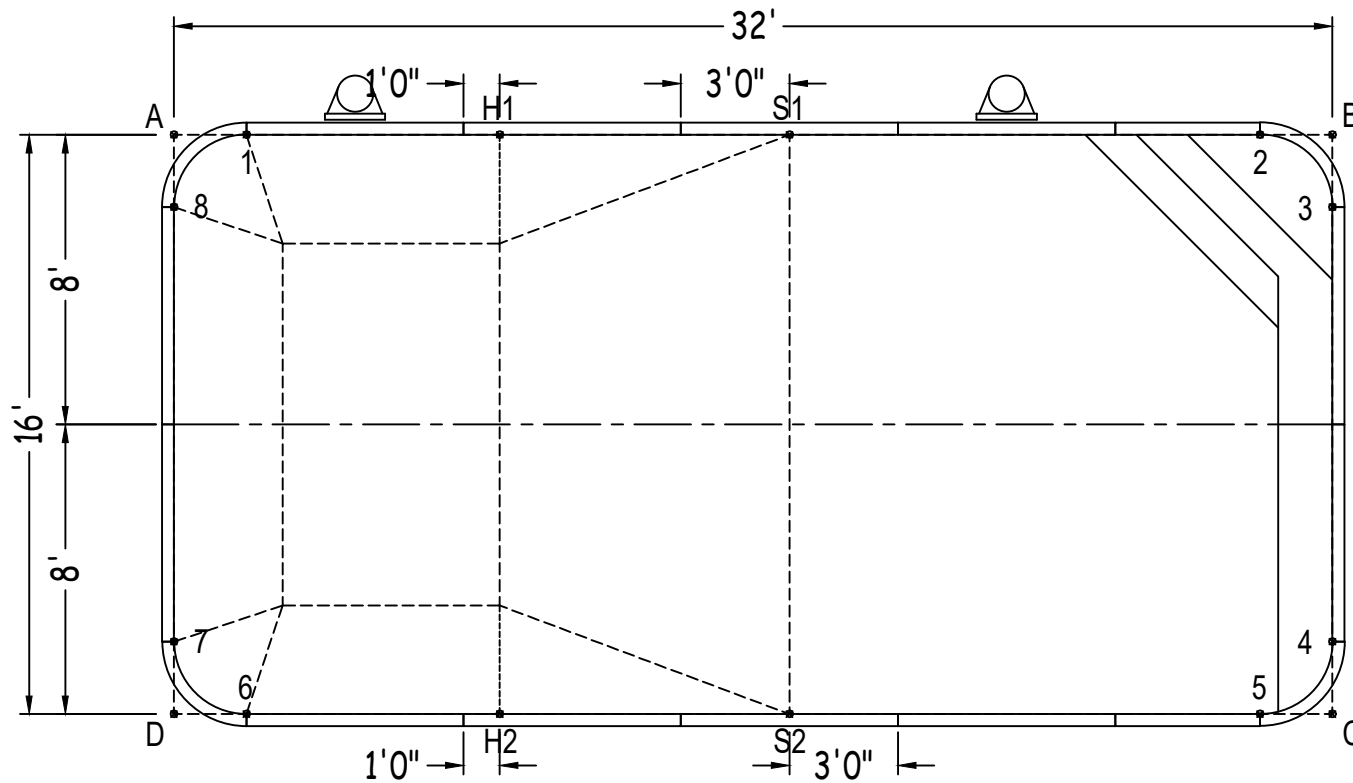
STEP RISERS MUST NOT EXCEED A MAXIMUM HEIGHT OF 12".
 THE TOP RISER MUST NOT EXCEED A MAXIMUM HEIGHT OF 12"
 FROM TOP OF FINISHED DECK TO TOP OF FIRST TREAD.



GRAPHX POOL SYSTEMS 42" FIXED POLYMER PANELS	RECTANGLE 2FT RAD 16-0 x 32-0			ALWAYS ENTER POOL Foot First	NON-DIVING POOL USE OF DIVING EQUIPMENT IS PROHIBITED	CUSTOMER: PENGUIN POOL JOB NAME: PENGUIN POOL
	DWG#:	PERIMETER:	VOLUME (US Gal):			
2022-PPL-04669	SURFACE (ft²):	509	VOLUME (Liters):	53700		
KIT#:	LINER (ft²):	488	DATE:	1/31/2022	DSR:	
CUSTOMKIT	COVER (ft²):	612	SCALE:	1/8" = 1'-0"		
RECTANGLE				ALL ASPECTS OF THIS DRAWING COMPLIES WITH ANSI/APSP/ICC-5 2011 AND 2015 ISPSC		
						SHEET: 1 OF 2

Diagonals	1 to 2	28'-0"	2 to 3	2'-10"	3 to 5	14'-1 3/4"	4 to 8	34'-2"
S1 to S2	1 to 3	30'- 3/4"	2 to 4	14'-1 3/4"	3 to 6	33'-1 1/4"	5 to 6	28'-0"
H1 to H2	1 to 4	33'-1 1/4"	2 to 5	16'-0"	3 to 7	34'-2"	5 to 7	30'- 3/4"
S1 to H1	1 to 5	32'-3"	2 to 6	32'-3"	3 to 8	32'-0"	5 to 8	33'-1 1/4"
S2 to H2	1 to 6	16'-0"	2 to 7	33'-1 1/4"	4 to 5	2'-10"	6 to 7	2'-10"
S1 to H2	1 to 7	14'-1 3/4"	2 to 8	30'- 3/4"	4 to 6	30'- 3/4"	6 to 8	14'-1 3/4"
H1 to S2	1 to 8	2'-10"	3 to 4	12'-0"	4 to 7	32'-0"	7 to 8	12'-0"

		Base
Part number	Description	QTY
GPG-ST0720000X	6'	10
GPG-ST0720000*	6' SKIMMER	2
GPG-ST0480000X	4'	2
GPG-CN0380240X	2'Rx3'2"	4
Brace	Brace	30
PPC-HWNFP03-25	QUICK LOCK FASTENER PKG (25)	8
PPC-HW101	HDR PKG N/B (35) 3/8"x16x1" ZP G2	1
IPC-STKPK25	REBAR STAKE 18" 25PC	2



	A	B	C	D
1	2'-0"	30'-0"	34'-0"	16'-1 1/2"
2	30'-0"	2'-0"	16'-1 1/2"	34'-0"
3	32'- 3/4"	2'-0"	14'-0"	34'-11 1/4"
4	34'-11 1/4"	14'-0"	2'-0"	32'- 3/4"
5	34'-0"	16'-1 1/2"	2'-0"	30'-0"
6	16'-1 1/2"	34'-0"	30'-0"	2'-0"
7	14'-0"	34'-11 1/4"	32'- 3/4"	2'-0"
8	2'-0"	32'- 3/4"	34'-11 1/4"	14'-0"
S2	23'-4 1/4"	21'-11 1/4"	15'-0"	17'-0"
S1	17'-0"	15'-0"	21'-11 1/4"	23'-4 1/4"
H2	18'-4 1/4"	28'- 1/4"	23'-0"	9'-0"
H1	9'-0"	23'-0"	28'- 1/4"	18'-4 1/4"
A	-	32'-0"	35'-9 1/4"	16'-0"

RECTANGLE 2FT RAD 16-0 X 32-0

DWG #: 2022-PPL-04669

DATE: 1/31/2022

SHEET: 2 OF 2