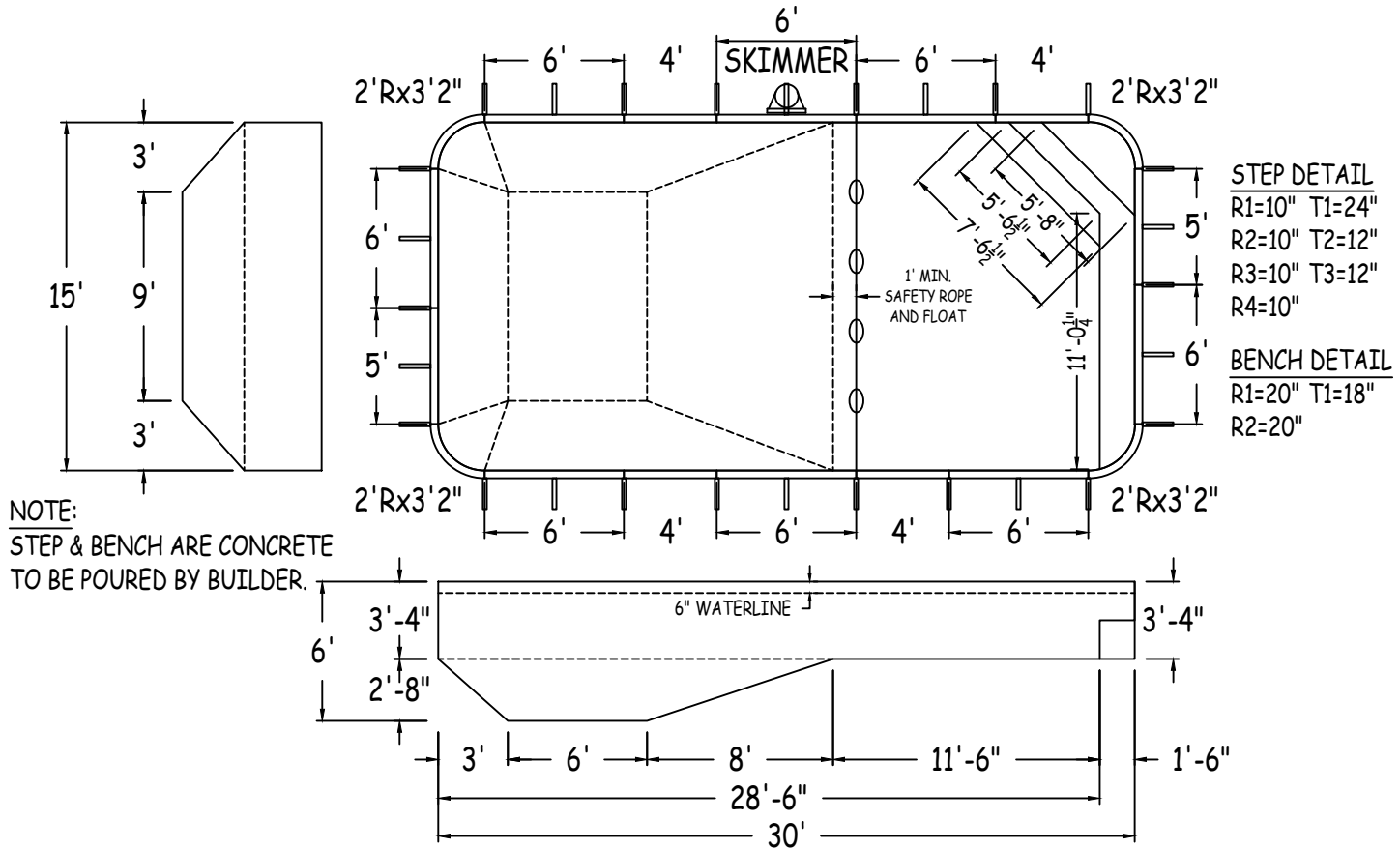


IN ACCORDANCE WITH ANSI/APSP/ICC-5 2011, THE INSTALLER IS RESPONSIBLE FOR PLACING ONE SKIMMER FOR EVERY 800 SQUARE FEET OF SURFACE AREA AND ONE RETURN FOR EVERY 300 SQUARE FEET OF SURFACE AREA.

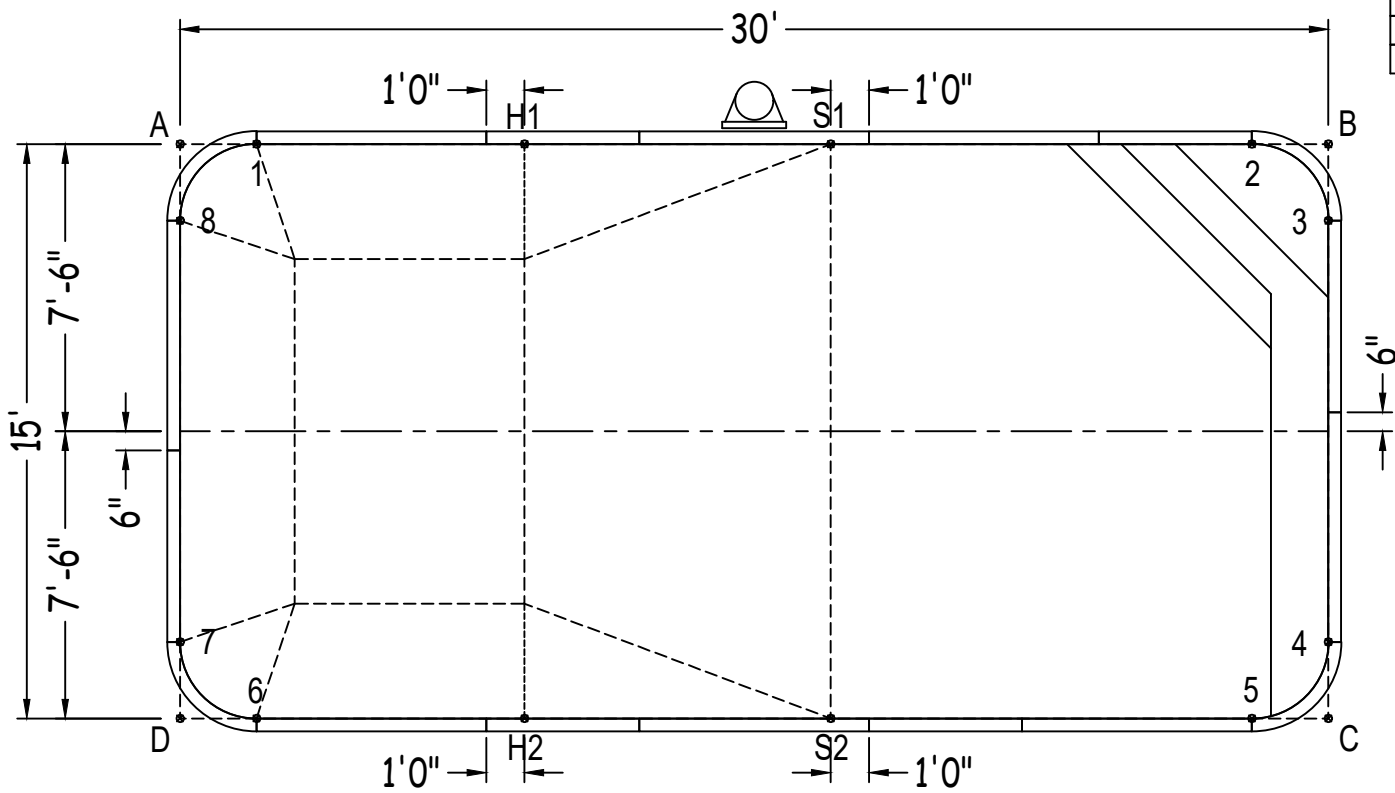
STEP RISERS MUST NOT EXCEED A MAXIMUM HEIGHT OF 12".
 THE TOP RISER MUST NOT EXCEED A MAXIMUM HEIGHT OF 12"
 FROM TOP OF FINISHED DECK TO TOP OF FIRST TREAD.



GRAPHHEX POOL SYSTEMS 42" FIXED POLYMER PANELS	RECTANGLE 2FT RAD 15-0 x 30-0			ALWAYS ENTER POOL Feet First	NON-DIVING POOL USE OF DIVING EQUIPMENT IS PROHIBITED	CUSTOMER: PENGUIN POOL JOB NAME: 15X30 GRAPHHEX
	PERIMETER: 86'-7"	VOLUME (US Gal): 12400	VOLUME (Liters): 46900			
DWG#: 2022-PPL-04958	SURFACE (ft²): 447	DATE: 2/1/2022	DSR:	ALL ASPECTS OF THIS DRAWING COMPLIES WITH ANSI/APSP/ICC-5 2011 AND 2015 ISPSC		
KIT#: CUSTOMKIT	COVER (ft²): 544	SCALE: 1/8" = 1'-0"	RECTANGLE			

Diagonals	1 to 2	26'-0"	2 to 3	2'-10"	3 to 5	13'-1 3/4"	4 to 8	31'-11 1/2"	
S1toS2	1 to 3	28'- 3/4"	2 to 4	13'-1 3/4"	3 to 6	30'-10 1/2"	5 to 6	26'-0"	
H1toH2	1 to 4	30'-10 1/2"	2 to 5	15'-0"	3 to 7	31'-11 1/2"	5 to 7	28'- 3/4"	
S1toH1	8'-0"	1 to 5	2 to 6	30'- 1/4"	3 to 8	30'-0"	5 to 8	30'-10 1/2"	
S2toH2	8'-0"	1 to 6	2 to 7	30'-10 1/2"	4 to 5	2'-10"	6 to 7	2'-10"	
S1toH2	17'-0"	1 to 7	2 to 8	28'- 3/4"	4 to 6	28'- 3/4"	6 to 8	13'-1 3/4"	
H1toS2	17'-0"	1 to 8	2'-10"	3 to 4	11'-0"	4 to 7	30'-0"	7 to 8	11'-0"

		Base
Part number	Description	QTY
GPG-ST0720000X	6'	7
GPG-ST0720000*	6' SKIMMER	1
GPG-ST0600000X	5'	2
GPG-ST0480000X	4'	4
GPG-CN0380240X	2'Rx3'2"	4
Brace	Brace	28
PPC-HWNFP03-25	QUICK LOCK FASTENER PKG (25)	7
PPC-HW101	HDR PKG N/B (35) 3/8"x16x1" ZP G2	1
IPC-STKPK25	REBAR STAKE 18" 25PC	2



	A	B	C	D
1	2'-0"	28'-0"	31'-9 1/4"	15'-1 1/2"
2	28'-0"	2'-0"	15'-1 1/2"	31'-9 1/4"
3	30'- 3/4"	2'-0"	13'-0"	32'-8 1/4"
4	32'-8 1/4"	13'-0"	2'-0"	30'- 3/4"
5	31'-9 1/4"	15'-1 1/2"	2'-0"	28'-0"
6	15'-1 1/2"	31'-9 1/4"	28'-0"	2'-0"
7	13'-0"	32'-8 1/4"	30'- 3/4"	2'-0"
8	2'-0"	30'- 3/4"	32'-8 1/4"	13'-0"
S2	22'-8"	19'-10 1/4"	13'-0"	17'-0"
S1	17'-0"	13'-0"	19'-10 1/4"	22'-8"
H2	17'-6"	25'-9 3/4"	21'-0"	9'-0"
H1	9'-0"	21'-0"	25'-9 3/4"	17'-6"
A	-	30'-0"	33'-6 1/2"	15'-0"

RECTANGLE 2FT RAD 15-0 X 30-0

DWG #: 2022-PPL-04958

DATE: 2/1/2022

SHEET: 2 OF 2