

STEEL

**Rectangle 2RC 12' x 24'**

DWG #:  
EQR2S42-1224-6'H\_08

VOLUME (US Gal): 8 600

VOLUME (Litres): 32 700

AREA (SqFt): 285

LINER AREA (SqFt): 288

SAFETY COVER (SqFt): 364

PERIMETER: 68'-7"

DATE: 01/Jan/2008

SCALE: 1/8" = 1'



**Feet First**

**NON-DIVING  
POOL**

**USE OF DIVING  
EQUIPMENT IS  
PROHIBITED**

MEETS DEPTH AND SHAPE MINIMUM STANDARD ANSI/NSPI5-2003

Customer NPW

Tag

Designer

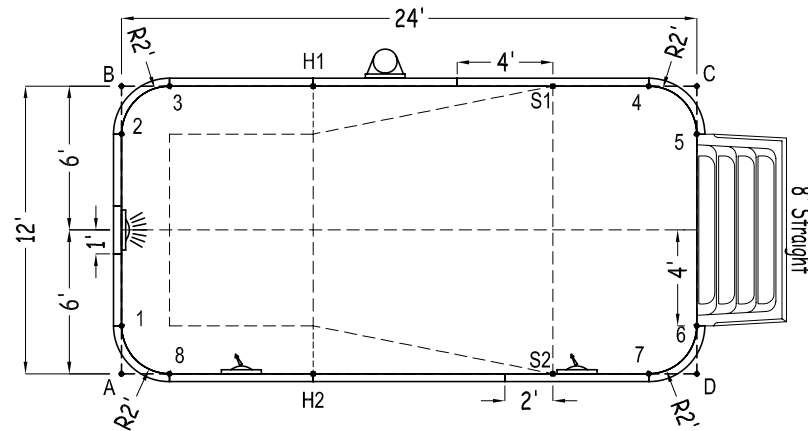
**Rectangle 2RC**

SHEET: 1 OF 2

Diagonals	
S1ToS2	12'
1 To 3	10'-2 1/2"
2 To 8	10'-2 1/2"
3 To 7	23'-4"
3 To 8	12'
4 To 6	10'-2 1/2"
4 To 7	12'
4 To 8	23'-4"
5 To 7	10'-2 1/2"

# 2008

Part number	Description	Qty
BPN-ST0960002X	8' Plain	2
BPN-ST0720001X	6' Plain	1
BPN-ST0720001A	6' Skimmer	1
BPN-ST0720001F	6' Inlet	2
BPN-ST0360000X	3' Plain	2
BPN-ST0240000X	2' Light	1
BPN-CN0380240X	2'x2'	4
	8' Straight Step	1
A-Frame	A-Frame Multiplier	14
15-0632-9	Optional Deck Supports	28



	A	B	C	D
1	2'	10'	26'	24'-1"
2	10'	2'	24'-1"	26'
3	12'-2"	2'	22'	25'-0 3/4"
4	25'-0 3/4"	22'	2'	12'-2"
5	26'	24'-1"	2'	10'
6	24'-1"	26'	10'	2'
7	22'	25'-0 3/4"	12'-2"	2'
8	2'	12'-2"	25'-0 3/4"	22'
H1	14'-5"	8'	16'	20'
H2	8'	14'-5"	20'	16'
S1	21'-7 1/2"	18'	6'	13'-5"
S2	18'	21'-7 1/2"	13'-5"	6'
A	-	12'	26'-10"	24'