

<b>KAFKO POOL PRODUCTS</b>		<b>OASIS 20' x 40' LEFT</b>			
STEEL	PERIMETER:	105'	VOLUME (US Gal):	26 200	
DWG #:	AREA (SqFt):	719	VOLUME (Litres):	99 300	
<b>KAGM00S2040L10</b>	LINER AREA (SqFt):	795	DATE:	01/Jan/2010	
PART# :	SAFETY COVER (SqFt):	1136	SCALE:	1/8" = 1'-0"	
	GM00S2040				

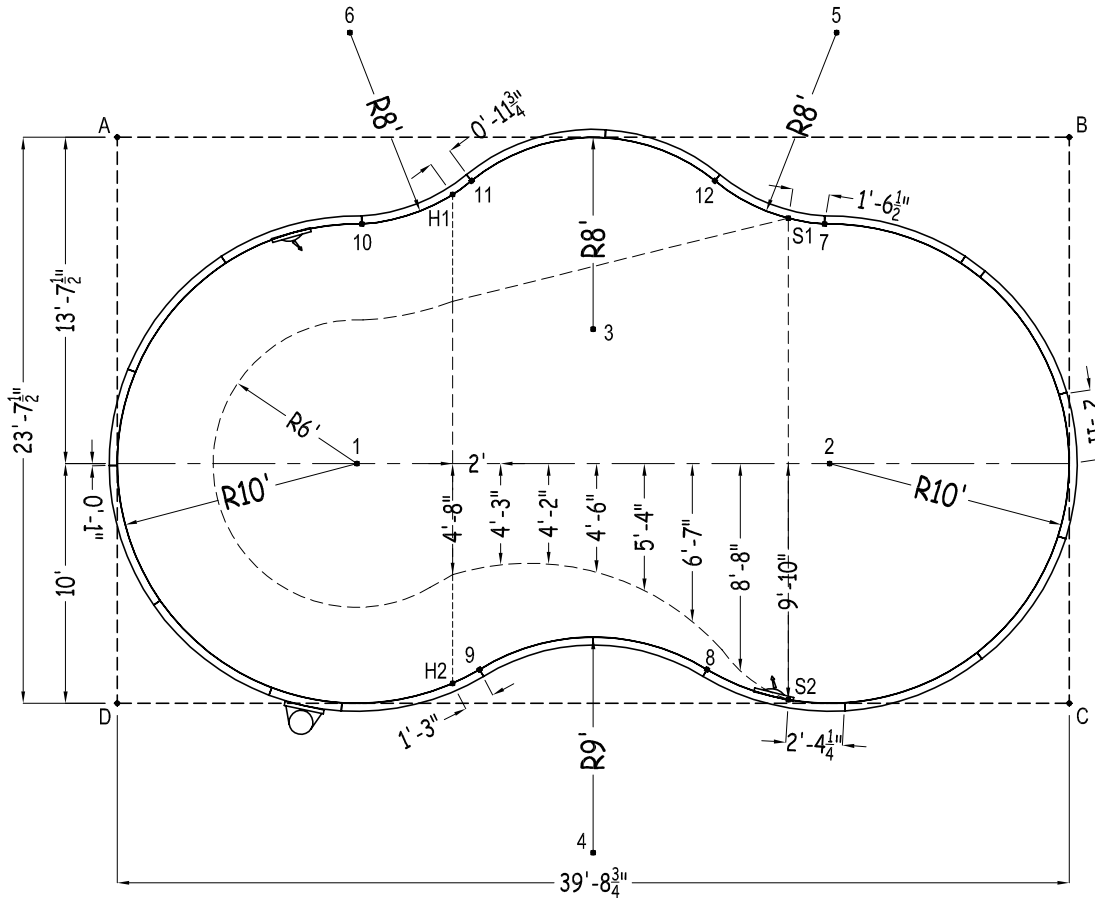


DIVING/SLIDING EQUIPMENT SHALL BE DESIGNED FOR SWIMMING POOLS AND SHALL BE INSTALLED IN ACCORDANCE WITH THE DIVING/SLIDING EQUIPMENT MANUFACTURER'S SPECIFICATIONS. PLEASE CONTACT THE DIVING/SLIDING EQUIPMENT MANUFACTURER FOR THEIR SPECIFICATIONS.

MEETS DEPTH AND SHAPE MINIMUM STANDARD ANSI/NSPI5-2003

**OASIS**

Center To Center	7 To 11	14'-10"
1 To 2	19'-8 3/4"	7 To 12
1 To 3	11'-4 1/4"	8 To 9
1 To 4	19'	8 To 10
1 To 5	26'-11"	8 To 11
1 To 6	17'-11 3/4"	8 To 12
2 To 3	11'-4 1/4"	9 To 10
2 To 4	19'	9 To 11
2 To 5	17'-11 3/4"	9 To 12
2 To 6	26'-11"	10 To 11
3 To 4	21'-10 1/4"	10 To 12
3 To 5	16'	11 To 12
3 To 6	16'	
4 To 5	35'-8 1/4"	
4 To 6	35'-8 1/4"	
5 To 6	20'-3 3/4"	
Diagonals		
7 To 8	19'-2 3/4"	
7 To 9	23'-6 1/4"	
7 To 10	19'-3 3/4"	

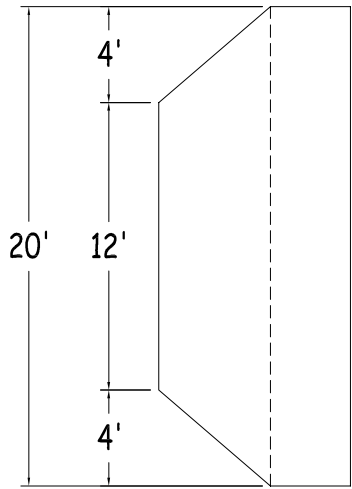


# 2010

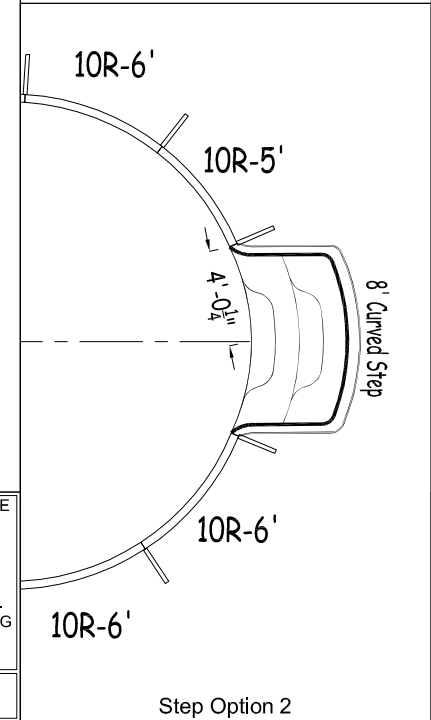
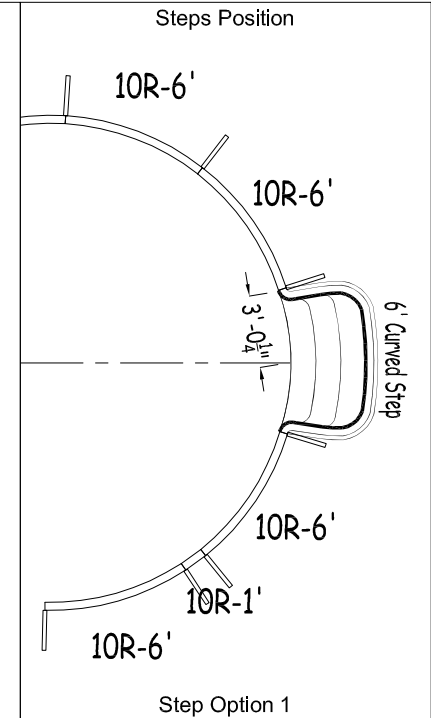
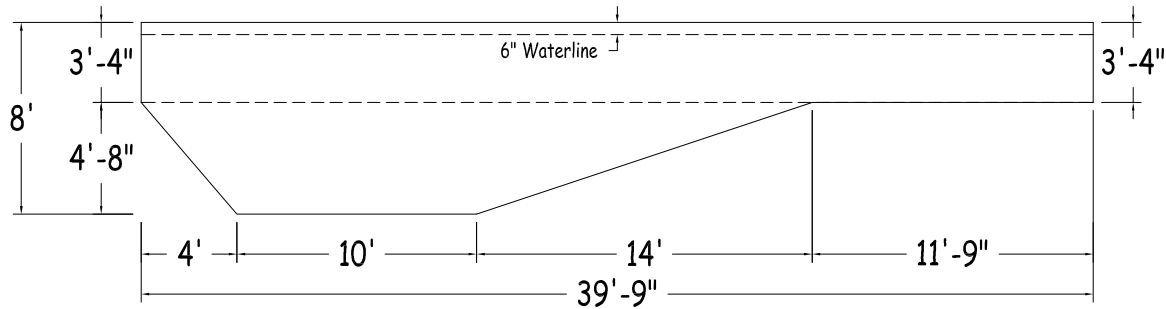
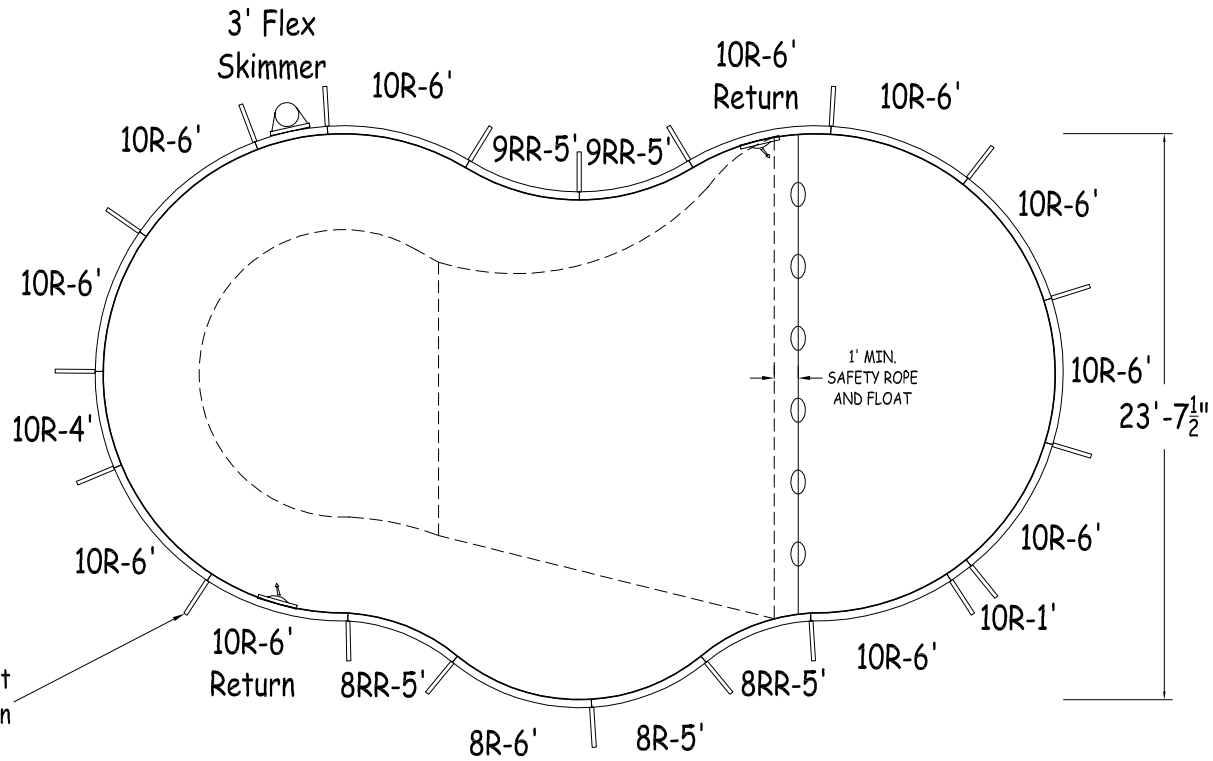
No Step  
Option 1  
Option 2


Part number	Description	Qty	Qty	Qty
RA0721201X	10R-6' Plain	9	8	7
RA0721201*	10R-6' Return	2	2	2
RA0601201X	10R-5' Plain	-	-	1
RA0481201X	10R-4' Plain	1	1	1
RA0121200X	10R-1' Plain	1	1	-
RA036FLX0*	3' Flex Skimmer	1	1	1
RA0720961X	8R-6' Plain	1	1	1
RA0600961X	8R-5' Plain	1	1	1
RR0600961X	8RR-5' Plain	2	2	2
RR0601081X	9RR-5' Plain	2	2	2
XXX-XXX	Panel Brace	20	20	19
IPC-HDWSTRT150	Hardware, Straight 150 Pack	2	2	2
IPC-STKPK25	Rebar Stake, 18" 25 Pack	2	2	2
	6ft Curved Step	-	1	-
	8ft Curved Step	-	-	1

	A	B	C	D
1	16'-10 3/4"	32'-8 1/2"	31'-4 1/2"	14'-1 3/4"
2	32'-8 1/2"	16'-10 3/4"	14'-1 3/4"	31'-4 1/2"
3	21'-5"	21'-5"	25'-3 1/4"	25'-3 1/4"
4	35'-10 1/4"	35'-10 1/4"	20'-9 3/4"	20'-9 3/4"
5	30'-4"	10'-7 3/4"	29'-7 1/2"	41'-0 1/2"
6	10'-7 3/4"	30'-4"	41'-0 1/2"	29'-7 1/2"
7	29'-9"	10'-10"	22'-5 1/2"	35'-7 3/4"
8	33'-1 3/4"	26'-10 1/2"	15'-2 1/4"	24'-7 3/4"
9	26'-10 1/2"	33'-1 3/4"	24'-7 3/4"	15'-2 1/4"
10	10'-10"	29'-9"	35'-7 3/4"	22'-5 1/2"
11	14'-10 3/4"	25'	33'-1 1/2"	26'-4"
12	25'	14'-10 3/4"	26'-4"	33'-1 1/2"
H2	26'-9"	34'-4 1/2"	25'-9"	14'-0 1/4"
H1	14'-2 1/2"	25'-10"	33'-4 1/4"	25'-5 1/4"
S1	28'-2 1/2"	12'-2 1/2"	23'-4 3/4"	34'-6 1/2"
S2	36'-6 1/2"	26'-2 3/4"	11'-8 3/4"	28'
A	-	39'-8 3/4"	46'-2 3/4"	23'-7 1/2"



Add A-frame at panel joints as shown



		<h2>OASIS 20' x 40' RIGHT</h2>	
STEEL	PERIMETER:	105'	VOLUME (US Gal): 26 200
DWG #:	AREA (SqFt):	719	VOLUME (Litres): 99 300
KAGM00S2040R10	LINER AREA (SqFt):	795	DATE: 01/Jan/2010
PART# :	SAFETY COVER (SqFt):	1136	SCALE: 1/8" = 1'-0"
GM00S2040			



DIVING/SLIDING EQUIPMENT SHALL BE DESIGNED FOR SWIMMING POOLS AND SHALL BE INSTALLED IN ACCORDANCE WITH THE DIVING/SLIDING EQUIPMENT MANUFACTURER'S SPECIFICATIONS. PLEASE CONTACT THE DIVING/SLIDING EQUIPMENT MANUFACTURER FOR THEIR SPECIFICATIONS.

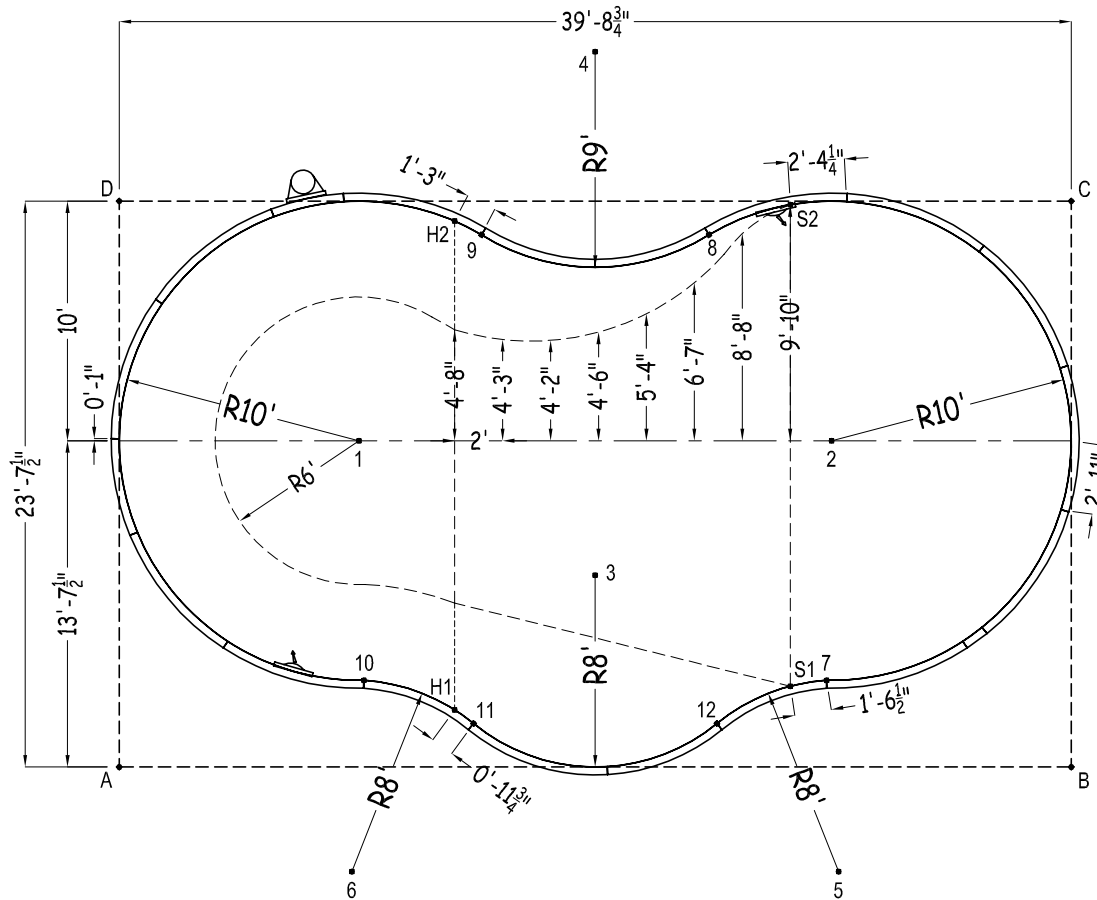
MEETS DEPTH AND SHAPE MINIMUM STANDARD ANSI/NSPI5-2003

**OASIS**

Step Option 2

SHEET: 1 OF 2

Center To Center	7 To 11	14'-10"
1 To 2	19'-8 3/4"	7 To 12
1 To 3	11'-4 1/4"	8 To 9
1 To 4	19'	8 To 10
1 To 5	26'-11"	8 To 11
1 To 6	17'-11 3/4"	8 To 12
2 To 3	11'-4 1/4"	9 To 10
2 To 4	19'	9 To 11
2 To 5	17'-11 3/4"	9 To 12
2 To 6	26'-11"	10 To 11
3 To 4	21'-10 1/4"	10 To 12
3 To 5	16'	11 To 12
3 To 6	16'	
4 To 5	35'-8 1/4"	
4 To 6	35'-8 1/4"	
5 To 6	20'-3 3/4"	
Diagonals		
7 To 8	19'-2 3/4"	
7 To 9	23'-6 1/4"	
7 To 10	19'-3 3/4"	



2010

No Step  
Option 1  
Option 2

Part number	Description	Qty	Qty	Qty
RA0721201X	10R-6' Plain	9	8	7
RA0721201*	10R-6' Return	2	2	2
RA0601201X	10R-5' Plain	-	-	1
RA0481201X	10R-4' Plain	1	1	1
RA0121200X	10R-1' Plain	1	1	-
RA036FLX0*	3' Flex Skimmer	1	1	1
RA0720961X	8R-6' Plain	1	1	1
RA0600961X	8R-5' Plain	1	1	1
RR0600961X	8RR-5' Plain	2	2	2
RR0601081X	9RR-5' Plain	2	2	2
XXX-XXX	Panel Brace	20	20	19
IPC-HDWSTRT150	Hardware, Straight 150 Pack	2	2	2
IPC-STKPK25	Rebar Stake, 18" 25 Pack	2	2	2
	6ft Curved Step	-	1	-
	8ft Curved Step	-	-	1

	A	B	C	D
1	16'-10 3/4"	32'-8 1/2"	31'-4 1/2"	14'-1 3/4"
2	32'-8 1/2"	16'-10 3/4"	14'-1 3/4"	31'-4 1/2"
3	21'-5"	21'-5"	25'-3 1/4"	25'-3 1/4"
4	35'-10 1/4"	35'-10 1/4"	20'-9 3/4"	20'-9 3/4"
5	30'-4"	10'-7 3/4"	29'-7 1/2"	41'-0 1/2"
6	10'-7 3/4"	30'-4"	41'-0 1/2"	29'-7 1/2"
7	29'-9"	10'-10"	22'-5 1/2"	35'-7 3/4"
8	33'-1 3/4"	26'-10 1/2"	15'-2 1/4"	24'-7 3/4"
9	26'-10 1/2"	33'-1 3/4"	24'-7 3/4"	15'-2 1/4"
10	10'-10"	29'-9"	35'-7 3/4"	22'-5 1/2"
11	14'-10 3/4"	25'	33'-1 1/2"	26'-4"
12	25'	14'-10 3/4"	26'-4"	33'-1 1/2"
H2	26'-9"	34'-4 1/2"	25'-9"	14'-0 1/4"
H1	14'-2 1/2"	25'-10"	33'-4 1/4"	25'-5 1/4"
S1	28'-2 1/2"	12'-2 1/2"	23'-4 3/4"	34'-6 1/2"
S2	36'-6 1/2"	26'-2 3/4"	11'-8 3/4"	28'
A	-	39'-8 3/4"	46'-2 3/4"	23'-7 1/2"