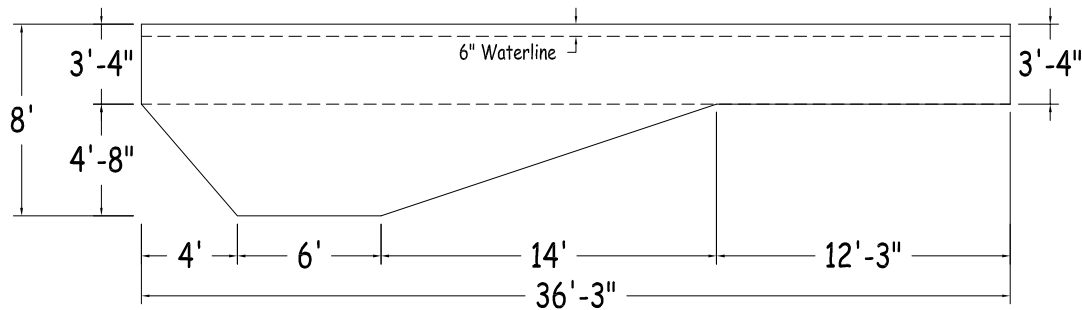
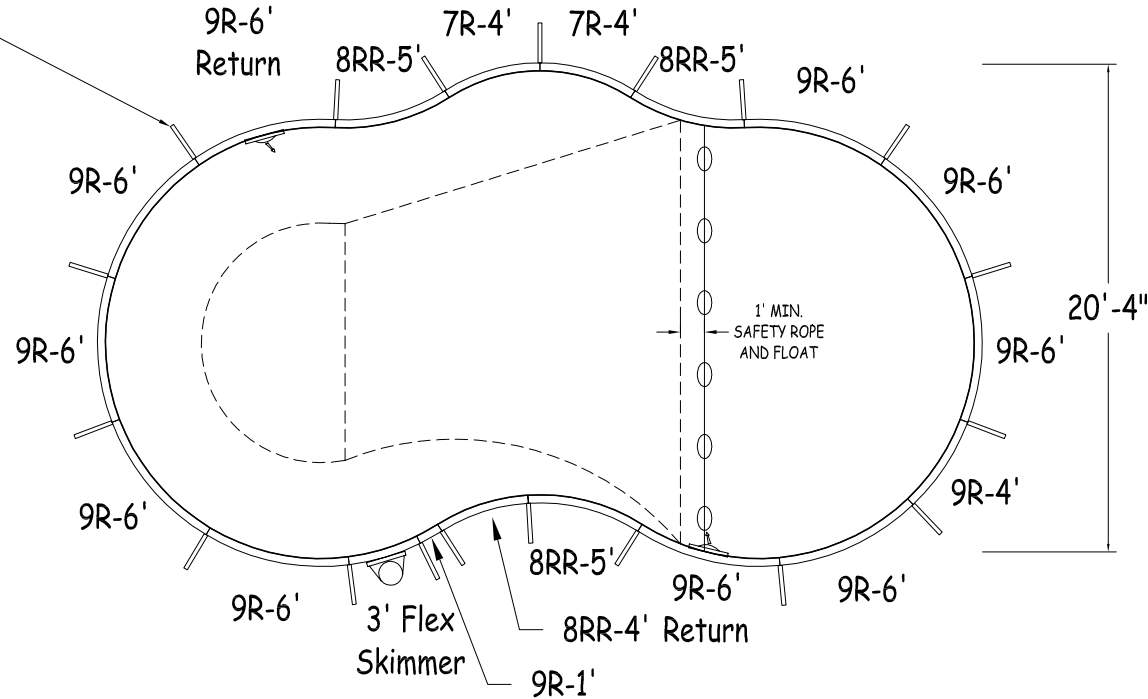
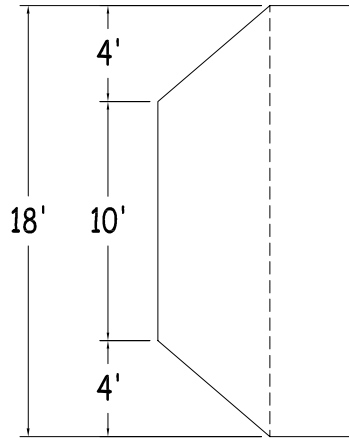


Add A-frame at panel joints as shown



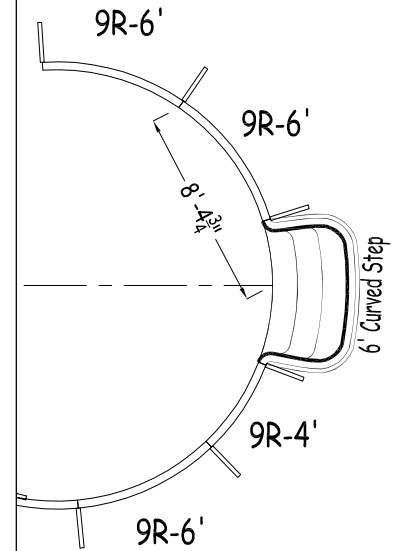
KAFKO POOL PRODUCTS		OASIS 18' x 36' LEFT	
STEEL	PERIMETER:	95'	VOLUME (US Gal): 19 900
DWG #: KAGM00S1836L10	AREA (SqFt):	578	VOLUME (Litres): 75 500
PART# : GM00S1836	LINER AREA (SqFt):	653	DATE: 01/Jan/2010
	SAFETY COVER (SqFt):	913	SCALE: 1/8" = 1'-0"



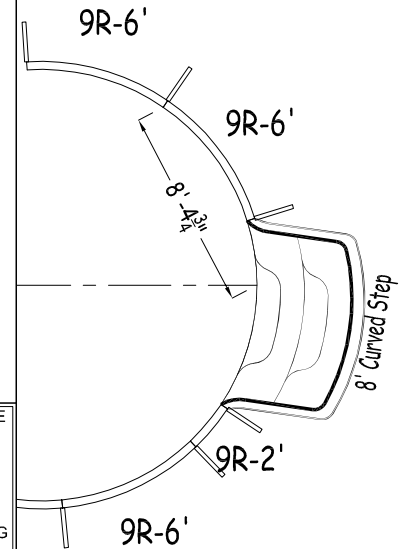
DIVING/SLIDING EQUIPMENT SHALL BE DESIGNED FOR SWIMMING POOLS AND SHALL BE INSTALLED IN ACCORDANCE WITH THE DIVING/SLIDING EQUIPMENT MANUFACTURER'S SPECIFICATIONS. PLEASE CONTACT THE DIVING/SLIDING EQUIPMENT MANUFACTURER FOR THEIR SPECIFICATIONS.

MEETS DEPTH AND SHAPE MINIMUM STANDARD ANSI/NSPI5-2003

Steps Position



Step Option 1

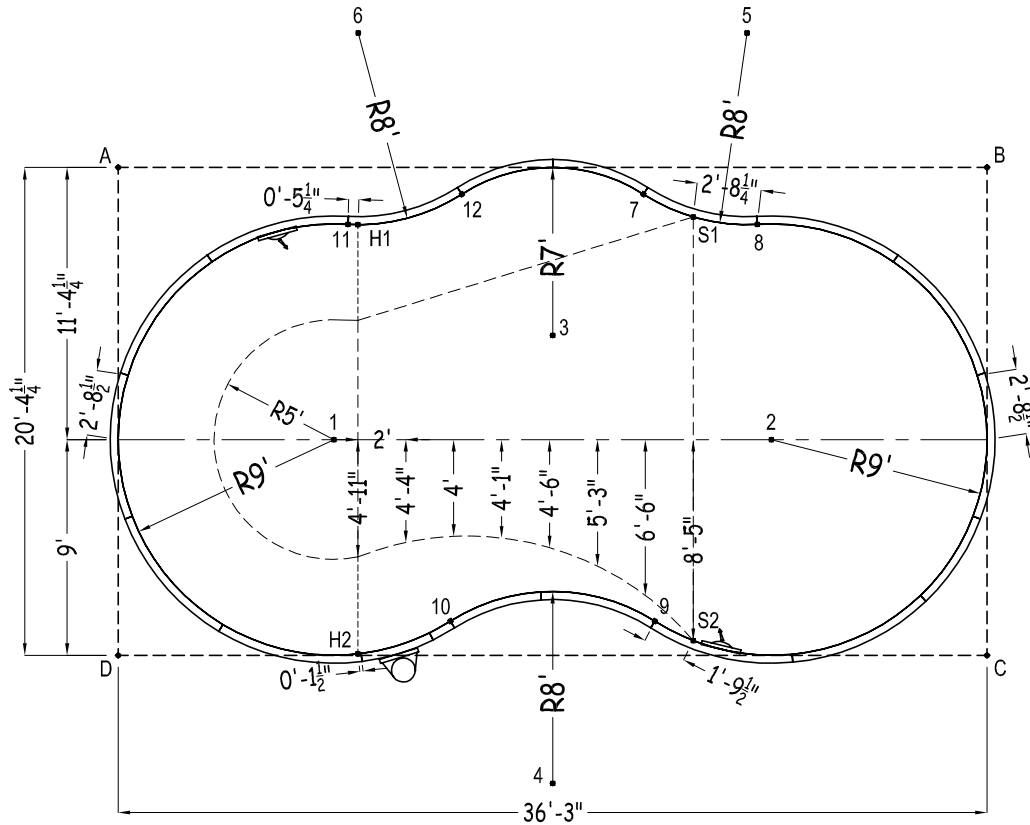


Step Option 2

SHEET: 1 OF 2

OASIS

Center To Center	7 To 11	12'-4 3/4"
1 To 2	7 To 12	7'-6 3/4"
1 To 3	8 To 9	17'-1 1/4"
1 To 4	8 To 10	20'-11 1/4"
1 To 5	8 To 11	17'-1"
1 To 6	8 To 12	12'-4 3/4"
2 To 3	9 To 10	8'-6 1/2"
2 To 4	9 To 11	20'-11 1/4"
2 To 5	9 To 12	19'-6 1/2"
2 To 6	10 To 11	17'-1 1/4"
3 To 4	10 To 12	17'-9 3/4"
3 To 5	11 To 12	4'-11"
3 To 6		
4 To 5		32'-4 1/4"
4 To 6		32'-4 1/4"
5 To 6		16'-2 3/4"
Diagonals		
7 To 8		4'-11"
7 To 9		17'-9 3/4"
7 To 10		19'-6 1/2"

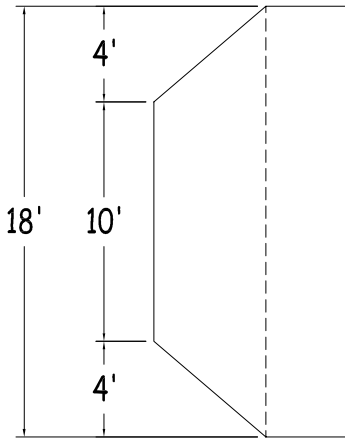


2010

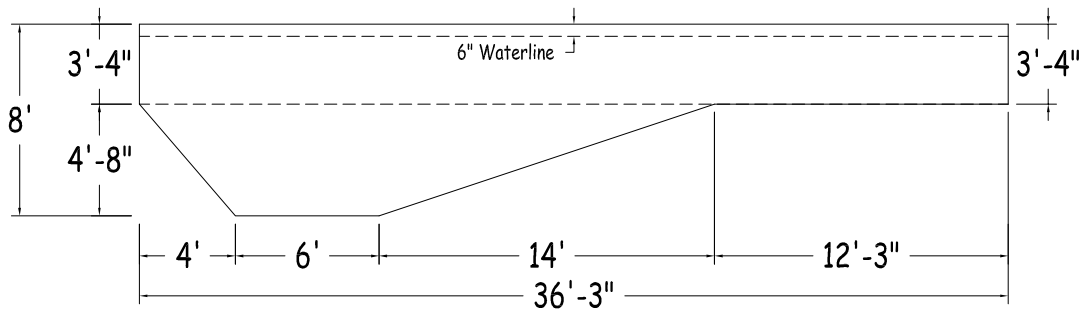
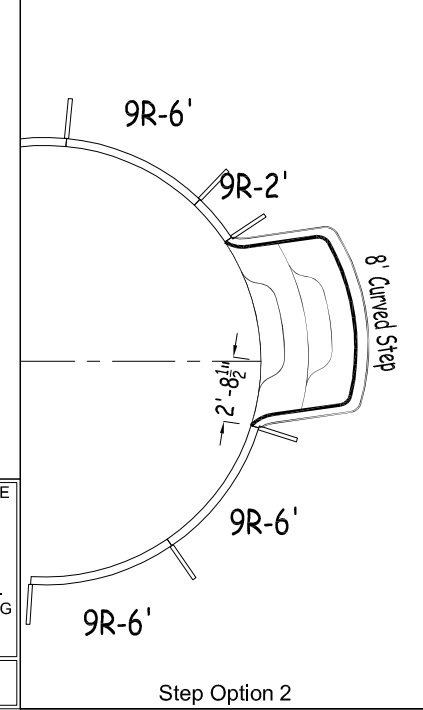
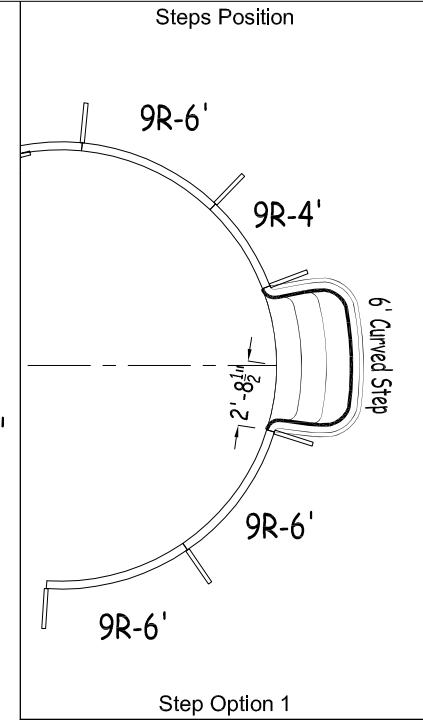
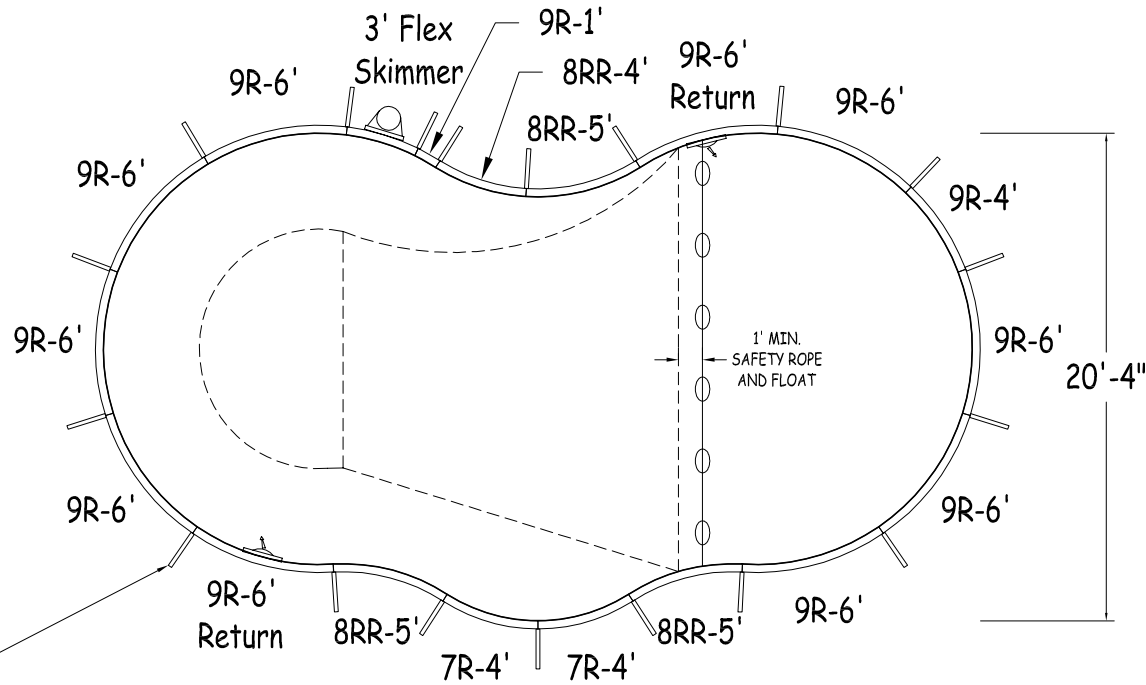
No Step
Option 1
Option 2

Part number	Description	Qty	Qty	Qty
RA0721081X	9R-6' Plain	8	7	7
RA0721081*	9R-6' Return	2	2	2
RA0481081X	9R-4' Plain	1	1	-
RA0241080X	9R-2' Plain	-	-	1
RA0121080X	9R-1' Plain	1	1	1
RA036FLX0*	3' Flex Skimmer	1	1	1
RA0480841X	7R-4' Plain	2	2	2
RR0600961X	8RR-5' Plain	3	3	3
RR0480961X	8RR-4' Plain	1	1	1
XXX-XXX	Panel Brace	19	19	19
IPC-HDWSTRT150	Hardware, Straight 150 Pack	2	2	2
IPC-STKPK25	Rebar Stake, 18" 25 Pack	2	2	2
	6ft Curved Step	-	1	-
	8ft Curved Step	-	-	1

	A	B	C	D
1	14'-5 3/4"	29'-6 1/4"	28'-8 1/2"	12'-8 3/4"
2	29'-6 1/4"	14'-5 3/4"	12'-8 3/4"	28'-8 1/2"
3	19'-5 1/4"	19'-5 1/4"	22'-6 1/4"	22'-6 1/4"
4	31'-5 1/4"	31'-5 1/4"	18'-10 3/4"	18'-10 3/4"
5	26'-10"	11'-5 3/4"	27'-10"	36'-11"
6	11'-5 3/4"	26'-10"	36'-11"	27'-10"
7	21'-11 1/4"	14'-4 3/4"	24'	29'-2"
8	26'-9 1/4"	9'-10 1/2"	20'-4 1/2"	32'-2"
9	29'-3 3/4"	23'-5 1/2"	13'-11 1/4"	22'-5 1/4"
10	23'-5 1/2"	29'-3 3/4"	22'-5 1/4"	13'-11 1/4"
11	9'-10 1/2"	26'-9 1/4"	32'-2"	20'-4 1/2"
12	14'-4 3/4"	21'-11 1/4"	29'-2"	24'
H1	10'-3 1/4"	26'-4 1/2"	31'-9 3/4"	20'-6 3/4"
H2	22'-7 1/2"	33'-2 1/4"	26'-3"	10'
S2	31'-1"	23'-2 3/4"	12'-3 1/4"	24'
S1	24'-1"	12'-5 1/4"	22'-0 1/4"	30'-2"
A	-	36'-3"	41'-7"	20'-4 1/4"



Add A-frame at panel joints as shown



KAFKO POOL PRODUCTS		OASIS 18' x 36' RIGHT	
STEEL	PERIMETER:	95'	VOLUME (US Gal): 19 900
DWG #: KAGM00S1836R10	AREA (SqFt):	578	VOLUME (Litres): 75 500
PART# : GM00S1836	LINER AREA (SqFt):	653	DATE: 01/Jan/2010
	SAFETY COVER (SqFt):	913	SCALE: 1/8" = 1'-0"

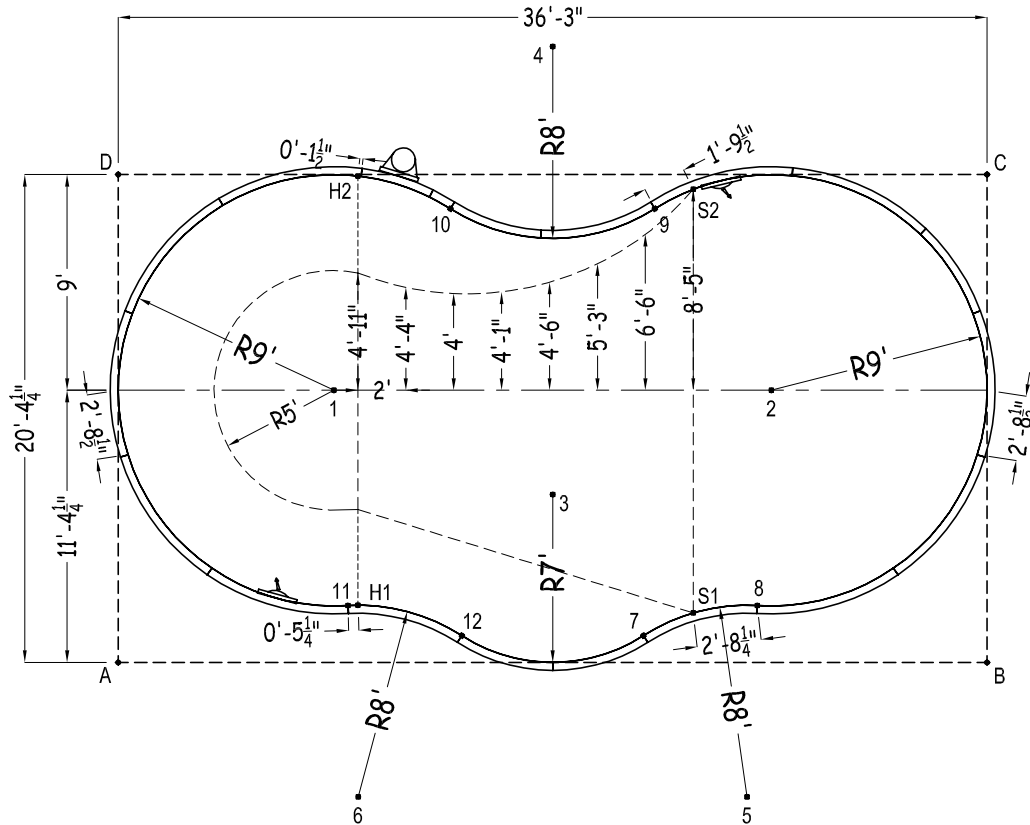
Feet FirstTM

DIVING/SLIDING EQUIPMENT SHALL BE DESIGNED FOR SWIMMING POOLS AND SHALL BE INSTALLED IN ACCORDANCE WITH THE DIVING/SLIDING EQUIPMENT MANUFACTURER'S SPECIFICATIONS. PLEASE CONTACT THE DIVING/SLIDING EQUIPMENT MANUFACTURER FOR THEIR SPECIFICATIONS.

MEETS DEPTH AND SHAPE MINIMUM STANDARD ANSI/NSPI5-2003

OASIS

Center To Center	7 To 11	12'-4 3/4"
1 To 2	7 To 12	7'-6 3/4"
1 To 3	8 To 9	17'-1 1/4"
1 To 4	8 To 10	20'-11 1/4"
1 To 5	8 To 11	17'-1"
1 To 6	8 To 12	12'-4 3/4"
2 To 3	9 To 10	8'-6 1/2"
2 To 4	9 To 11	20'-11 1/4"
2 To 5	9 To 12	19'-6 1/2"
2 To 6	10 To 11	17'-1 1/4"
3 To 4	10 To 12	17'-9 3/4"
3 To 5	11 To 12	4'-11"
3 To 6		
4 To 5		
4 To 6		
4 To 6		
5 To 6		
Diagonals		
7 To 8		4'-11"
7 To 9		17'-9 3/4"
7 To 10		19'-6 1/2"



2010

No Step
Option 1
Option 2

Part number	Description	Qty	Qty	Qty
RA0721081X	9R-6' Plain	8	7	7
RA0721081*	9R-6' Return	2	2	2
RA0481081X	9R-4' Plain	1	1	-
RA0241080X	9R-2' Plain	-	-	1
RA0121080X	9R-1' Plain	1	1	1
RA036FLX0*	3' Flex Skimmer	1	1	1
RA0480841X	7R-4' Plain	2	2	2
RR0600961X	8RR-5' Plain	3	3	3
RR0480961X	8RR-4' Plain	1	1	1
XXX-XXX	Panel Brace	19	19	19
IPC-HDWSTRT150	Hardware, Straight 150 Pack	2	2	2
IPC-STKPK25	Rebar Stake, 18" 25 Pack	2	2	2
	6ft Curved Step	-	1	-
	8ft Curved Step	-	-	1

	A	B	C	D
1	14'-5 3/4"	29'-6 1/4"	28'-8 1/2"	12'-8 3/4"
2	29'-6 1/4"	14'-5 3/4"	12'-8 3/4"	28'-8 1/2"
3	19'-5 1/4"	19'-5 1/4"	22'-6 1/4"	22'-6 1/4"
4	31'-5 1/4"	31'-5 1/4"	18'-10 3/4"	18'-10 3/4"
5	26'-10"	11'-5 3/4"	27'-10"	36'-11"
6	11'-5 3/4"	26'-10"	36'-11"	27'-10"
7	21'-11 1/4"	14'-4 3/4"	24'	29'-2"
8	26'-9 1/4"	9'-10 1/2"	20'-4 1/2"	32'-2"
9	29'-3 3/4"	23'-5 1/2"	13'-11 1/4"	22'-5 1/4"
10	23'-5 1/2"	29'-3 3/4"	22'-5 1/4"	13'-11 1/4"
11	9'-10 1/2"	26'-9 1/4"	32'-2"	20'-4 1/2"
12	14'-4 3/4"	21'-11 1/4"	29'-2"	24'
H1	10'-3 1/4"	26'-4 1/2"	31'-9 3/4"	20'-6 3/4"
H2	22'-7 1/2"	33'-2 1/4"	26'-3"	10'
S2	31'-1"	23'-2 3/4"	12'-3 1/4"	24'
S1	24'-1"	12'-5 1/4"	22'-0 1/4"	30'-2"
A	-	36'-3"	41'-7"	20'-4 1/4"