

KAFKO POOL PRODUCTS		OASIS 16' x 32' LEFT	
STEEL	PERIMETER:	85'	VOLUME (US Gal): 17 100
DWG #: KAGM00S1632L10	AREA (SqFt):	472	VOLUME (Litres): 64 800
PART# : GM00S1632	LINER AREA (SqFt):	517	DATE: 01/Jan/2010
	SAFETY COVER (SqFt):	777	SCALE: 1/8" = 1'-0"

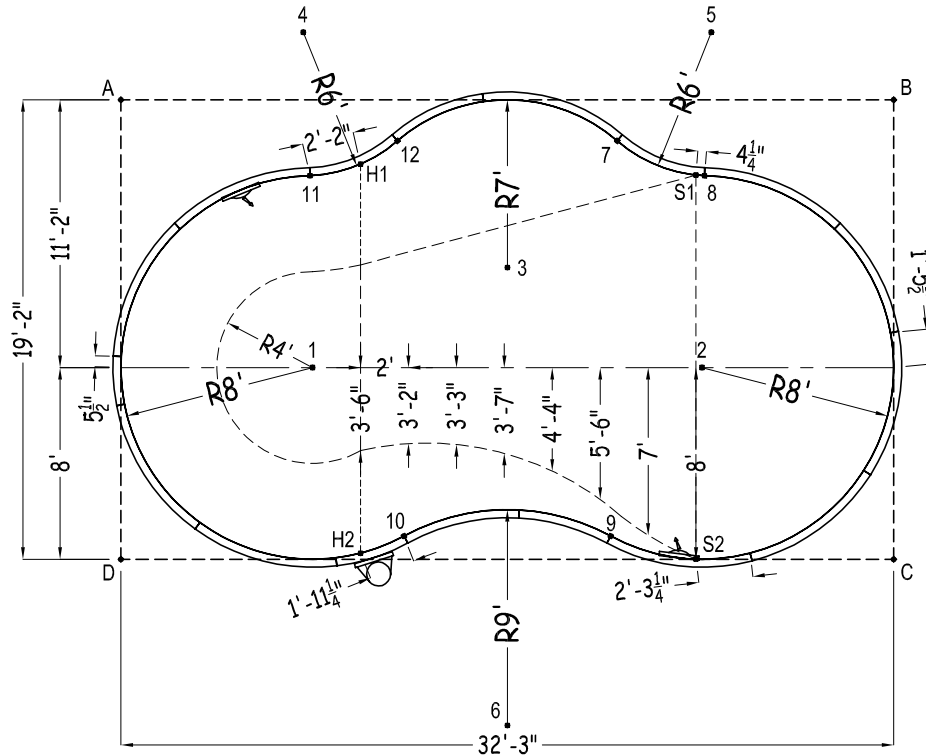


DIVING/SLIDING EQUIPMENT SHALL BE DESIGNED FOR SWIMMING POOLS AND SHALL BE INSTALLED IN ACCORDANCE WITH THE DIVING/SLIDING EQUIPMENT MANUFACTURER'S SPECIFICATIONS. PLEASE CONTACT THE DIVING/SLIDING EQUIPMENT MANUFACTURER FOR THEIR SPECIFICATIONS.

MEETS DEPTH AND SHAPE MINIMUM STANDARD ANSI/NSPI5-2003

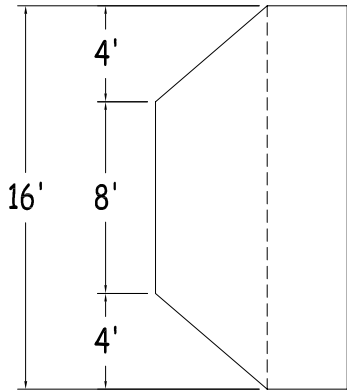
OASIS

Center To Center	7 To 11	12'-10 3/4"
1 To 2	7 To 12	9'-2"
1 To 3	8 To 9	15'-6 1/2"
1 To 4	8 To 10	19'-7"
1 To 5	8 To 11	16'-5 1/2"
1 To 6	8 To 12	12'-10 3/4"
2 To 3	9 To 10	8'-7 1/2"
2 To 4	9 To 11	19'-7"
2 To 5	9 To 12	18'-9"
2 To 6	10 To 11	15'-6 1/2"
3 To 4	10 To 12	16'-6"
3 To 5	11 To 12	3'-11"
3 To 6		19'-1 1/4"
4 To 5		17'-0 1/2"
4 To 6		30'-1 3/4"
5 To 6		30'-1 3/4"
Diagonals		
7 To 8		3'-11"
7 To 9		16'-6"
7 To 10		18'-9"

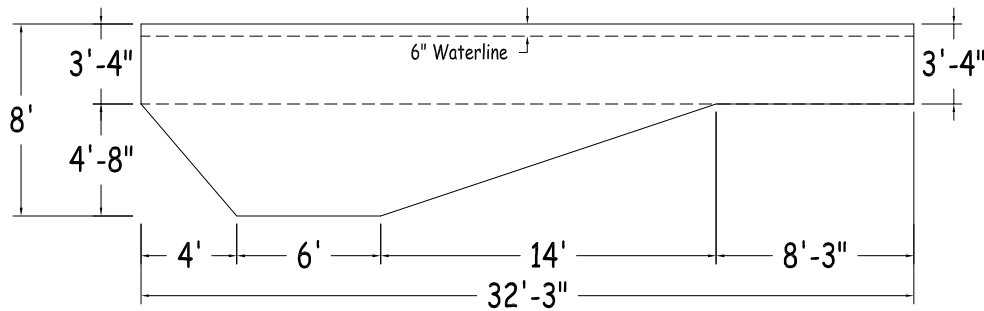
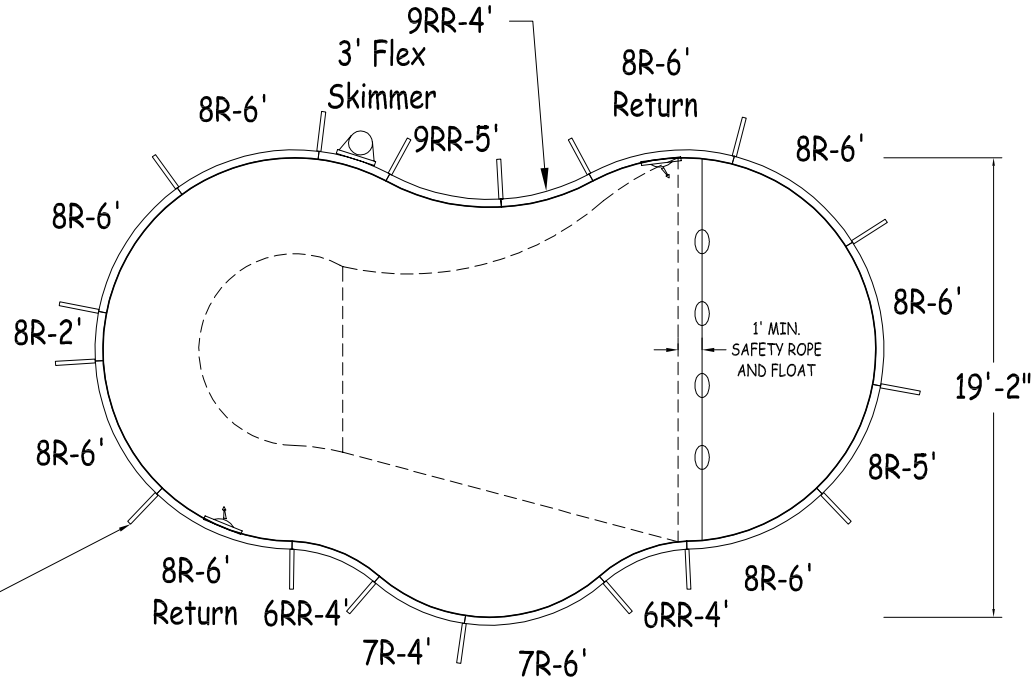


		2010		
		No Step	Option 1	Option 2
Part number	Description	Qty	Qty	Qty
RA0720961X	8R-6' Plain	6	5	5
RA0720961*	8R-6' Return	2	2	2
RA0600961X	8R-5' Plain	1	1	-
RA0360960X	8R-3' Plain	-	-	1
RA0240960X	8R-2' Plain	1	1	1
RA036FLX0*	3' Flex Skimmer	1	1	1
RA0720841X	7R-6' Plain	1	1	1
RA0480841X	7R-4' Plain	1	1	1
RR0480721X	6RR-4' Plain	2	2	2
RR0601081X	9RR-5' Plain	1	1	1
RR0481081X	9RR-4' Plain	1	1	1
XXX-XXX	Panel Brace	17	17	17
IPC-HDWSTRT150	Hardware, Straight 150 Pack	2	2	2
IPC-STKPK25	Rebar Stake, 18" 25 Pack	2	2	2
	6ft -Curved Step	-	1	-
	8ft Curved Step	-	-	1

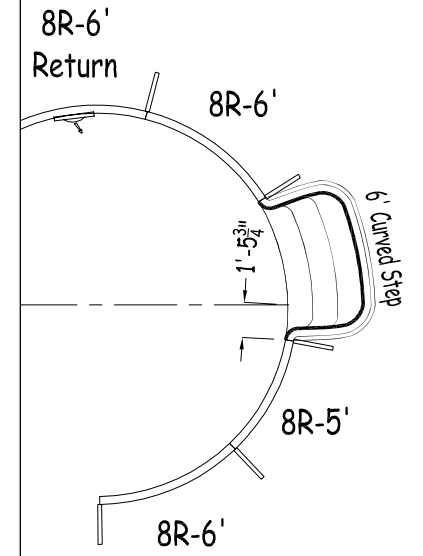
	A	B	C	D
1	13'-8 3/4"	26'-8 1/2"	25'-6 1/2"	11'-3 3/4"
2	26'-8 1/2"	13'-8 3/4"	11'-3 3/4"	25'-6 1/2"
3	17'-7"	17'-7"	20'-2 1/2"	20'-2 1/2"
4	8'-1 1/2"	24'-9 3/4"	33'-0 1/4"	23'-3 1/4"
5	24'-9 3/4"	8'-1 1/2"	23'-3 1/4"	33'-0 1/4"
6	30'-8 1/4"	30'-8 1/4"	17'-6 3/4"	17'-6 3/4"
7	20'-9 1/2"	11'-8"	20'-11 1/4"	27'-1"
8	24'-6 3/4"	8'-6"	17'-10"	29'-1 3/4"
9	27'-4 1/2"	21'-8 1/2"	11'-10 1/4"	20'-5 1/2"
10	21'-8 1/2"	27'-4 1/2"	20'-5 1/2"	11'-10 1/4"
11	8'-6"	24'-6 3/4"	29'-1 3/4"	17'-10"
12	11'-8"	20'-9 1/2"	27'-1"	20'-11 1/4"
H1	10'-4 1/4"	22'-5"	27'-8 1/4"	19'-3 1/2"
H2	21'-4 3/4"	29'-2 1/2"	22'-3"	10'
S2	30'-8 1/2"	20'-10 1/2"	8'-3"	24'
S1	24'-2 1/2"	8'-10"	18'-0 1/4"	28'-10 1/4"
A	-	32'-3"	37'-6 1/4"	19'-2"



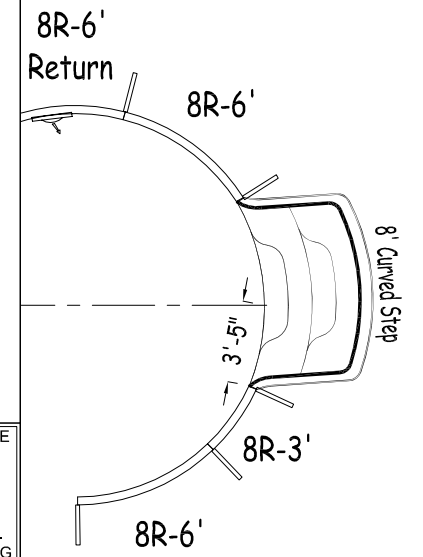
Add A-frame at panel joints as shown



Steps Position



Step Option 1



Step Option 2



KAFKO POOL PRODUCTS	OASIS 16' x 32' RIGHT			
STEEL	PERIMETER:	85'	VOLUME (US Gal):	17 100
DWG #: KAGM00S1632R10	AREA (SqFt):	472	VOLUME (Litres):	64 800
PART# : GM00S1632	LINER AREA (SqFt):	517	DATE:	01/Jan/2010
	SAFETY COVER (SqFt):	777	SCALE:	1/8" = 1'-0"



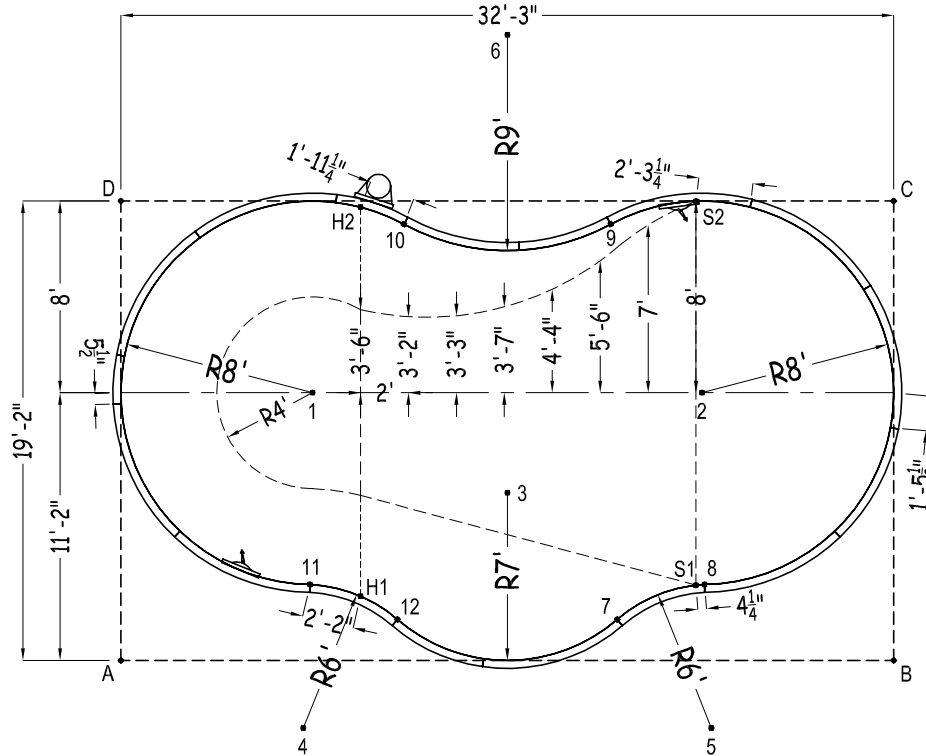
DIVING/SLIDING EQUIPMENT SHALL BE DESIGNED FOR SWIMMING POOLS AND SHALL BE INSTALLED IN ACCORDANCE WITH THE DIVING/SLIDING EQUIPMENT MANUFACTURER'S SPECIFICATIONS. PLEASE CONTACT THE DIVING/SLIDING EQUIPMENT MANUFACTURER FOR THEIR SPECIFICATIONS.

MEETS DEPTH AND SHAPE MINIMUM STANDARD ANSI/NSPI5-2003

SHEET: 1 OF 2

OASIS

Center To Center	7 To 11	12'-10 3/4"
1 To 2	7 To 12	9'-2"
1 To 3	8 To 9	15'-6 1/2"
1 To 4	8 To 10	19'-7"
1 To 5	8 To 11	16'-5 1/2"
1 To 6	8 To 12	12'-10 3/4"
2 To 3	9 To 10	8'-7 1/2"
2 To 4	9 To 11	19'-7"
2 To 5	9 To 12	18'-9"
2 To 6	10 To 11	15'-6 1/2"
3 To 4	10 To 12	16'-6"
3 To 5	11 To 12	3'-11"
3 To 6		19'-1 1/4"
4 To 5		17'-0 1/2"
4 To 6		30'-1 3/4"
5 To 6		30'-1 3/4"
Diagonals		
7 To 8		3'-11"
7 To 9		16'-6"
7 To 10		18'-9"



2010

No Step
Option 1
Option 2

Part number	Description	Qty	Qty	Qty
RA0720961X	8R-6' Plain	6	5	5
RA0720961*	8R-6' Return	2	2	2
RA0600961X	8R-5' Plain	1	1	-
RA0360960X	8R-3' Plain	-	-	1
RA0240960X	8R-2' Plain	1	1	1
RA036FLX0*	3' Flex Skimmer	1	1	1
RA0720841X	7R-6' Plain	1	1	1
RA0480841X	7R-4' Plain	1	1	1
RR0480721X	6RR-4' Plain	2	2	2
RR0601081X	9RR-5' Plain	1	1	1
RR0481081X	9RR-4' Plain	1	1	1
XXX-XXX	Panel Brace	17	17	17
IPC-HDWSTRT150	Hardware, Straight 150 Pack	2	2	2
IPC-STKPK25	Rebar Stake, 18" 25 Pack	2	2	2
	6ft Curved Step	-	1	-
	8ft Curved Step	-	-	1

	A	B	C	D
1	13'-8 3/4"	26'-8 1/2"	25'-6 1/2"	11'-3 3/4"
2	26'-8 1/2"	13'-8 3/4"	11'-3 3/4"	25'-6 1/2"
3	17'-7"	17'-7"	20'-2 1/2"	20'-2 1/2"
4	8'-1 1/2"	24'-9 3/4"	33'-0 1/4"	23'-3 1/4"
5	24'-9 3/4"	8'-1 1/2"	23'-3 1/4"	33'-0 1/4"
6	30'-8 1/4"	30'-8 1/4"	17'-6 3/4"	17'-6 3/4"
7	20'-9 1/2"	11'-8"	20'-11 1/4"	27'-1"
8	24'-6 3/4"	8'-6"	17'-10"	29'-1 3/4"
9	27'-4 1/2"	21'-8 1/2"	11'-10 1/4"	20'-5 1/2"
10	21'-8 1/2"	27'-4 1/2"	20'-5 1/2"	11'-10 1/4"
11	8'-6"	24'-6 3/4"	29'-1 3/4"	17'-10"
12	11'-8"	20'-9 1/2"	27'-1"	20'-11 1/4"
H1	10'-4 1/4"	22'-5"	27'-8 1/4"	19'-3 1/2"
H2	21'-4 3/4"	29'-2 1/2"	22'-3"	10'
S2	30'-8 1/2"	20'-10 1/2"	8'-3"	24'
S1	24'-2 1/2"	8'-10"	18'-0 1/4"	28'-10 1/4"
A	-	32'-3"	37'-6 1/4"	19'-2"