

KAFKO POOL PRODUCTS		OASIS 14' x 28' LEFT	
STEEL	PERIMETER:	74'	VOLUME (US Gal): 10 000
DWG #: KAGM00S1428L10	AREA (SqFt):	354	VOLUME (Litres): 37 900
PART# : GM00S1428	LINER AREA (SqFt):	394	DATE: 1/Jan/2010
	SAFETY COVER (SqFt):	592	SCALE: 1/8" = 1'-0"



NON-DIVING POOL
USE OF DIVING EQUIPMENT IS PROHIBITED

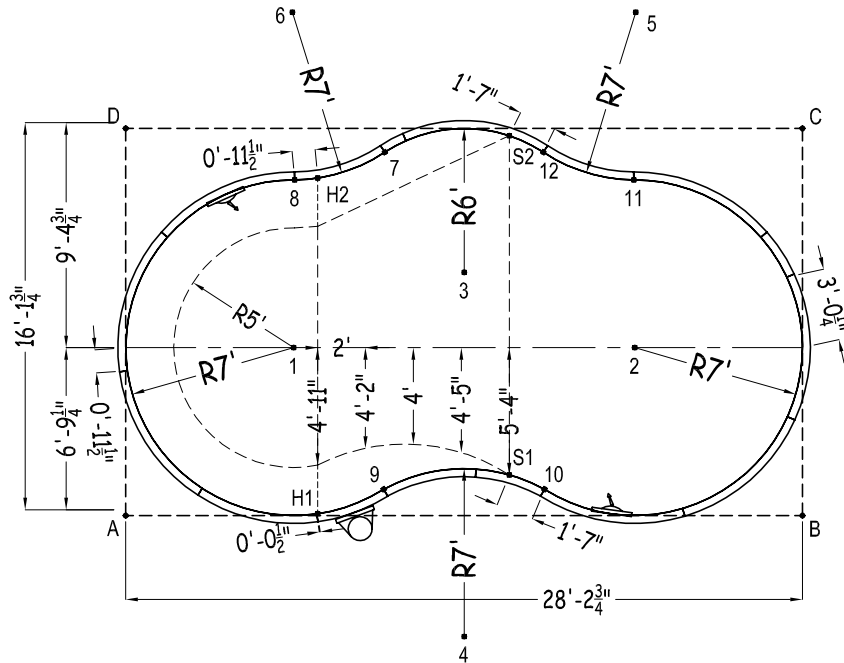
MEETS DEPTH AND SHAPE MINIMUM STANDARD ANSI/NSPI5-2003

OASIS

Step Option 2

SHEET: 1 OF 2

Center To Center	7 To 11	10'-5 1/4"
1 To 2	7 To 12	6'-7 1/4"
1 To 3	8 To 9	13'-5 1/4"
1 To 4	8 To 10	16'-7 1/4"
1 To 5	8 To 11	14'-1 3/4"
1 To 6	8 To 12	10'-5 1/4"
2 To 3	9 To 10	6'-8 1/2"
2 To 4	9 To 11	16'-7 1/4"
2 To 5	9 To 12	15'-6 3/4"
2 To 6	10 To 11	13'-5 1/4"
3 To 4	10 To 12	14'-0 3/4"
3 To 5	11 To 12	3'-11 1/4"
3 To 6		
4 To 5		27'-0 1/4"
4 To 6		27'-0 1/4"
5 To 6		14'-3 3/4"
Diagonals		
7 To 8		3'-11 1/4"
7 To 9		14'-0 3/4"
7 To 10		15'-6 3/4"

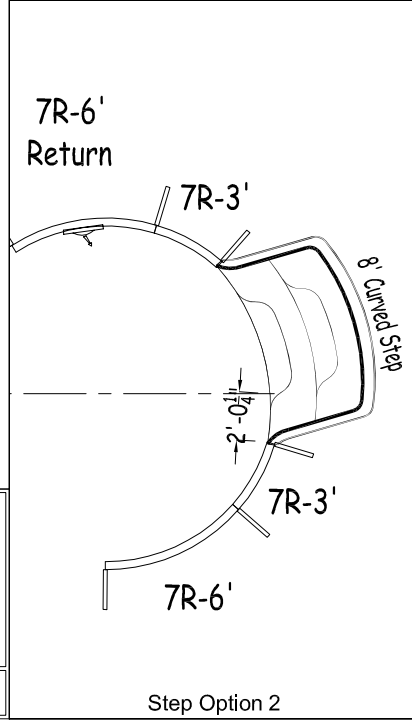
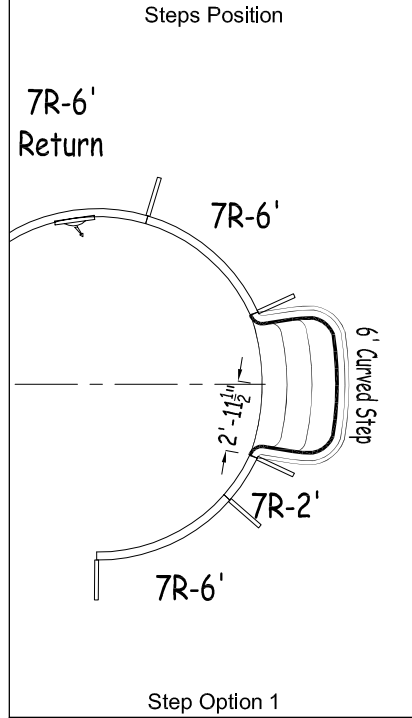
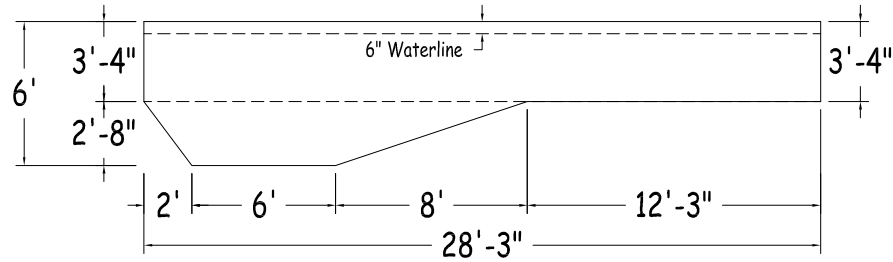
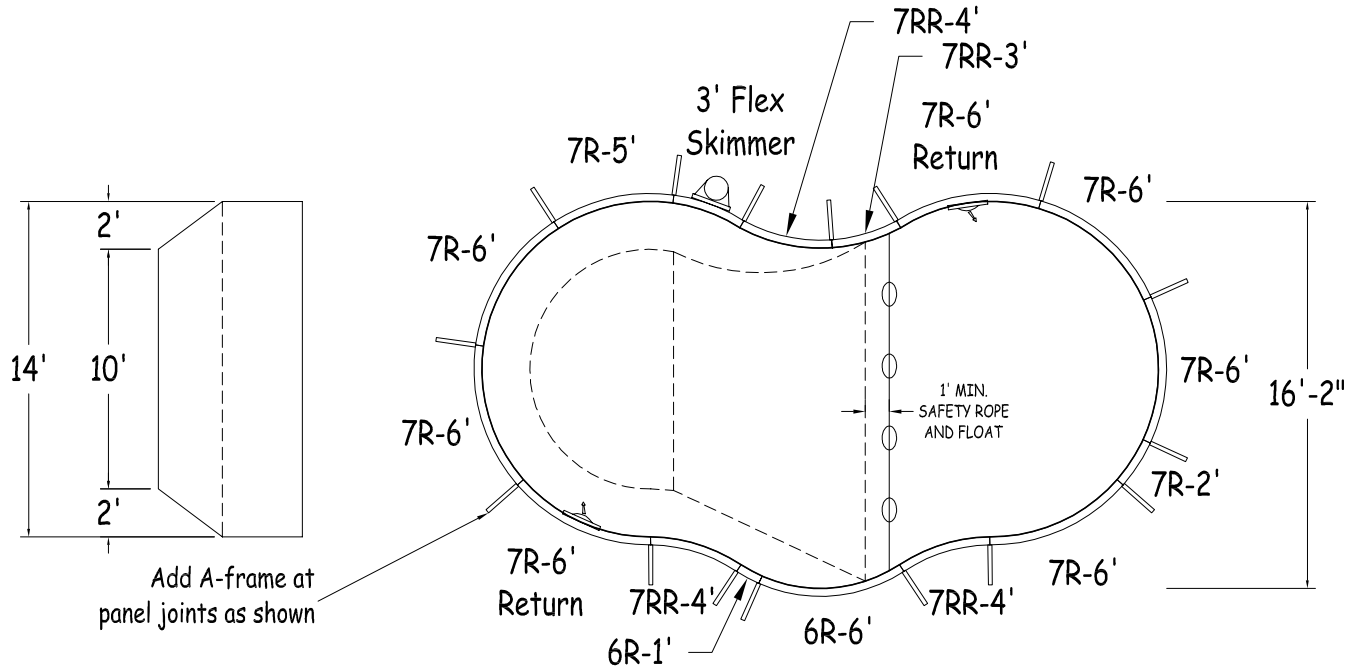


2010

No Step
Option 1
Option 2

Part number	Description	Qty	Qty	Qty	
RA0720841X	7R-6' Plain		5	4	3
RA0720841*	7R-6' Return		2	2	2
RA0600841X	7R-5' Plain		1	1	1
RA0360840X	7R-3' Plain		-	-	2
RA0240840X	7R-2' Plain		1	1	-
RA036FLX0*	3' Flex Skimmer		1	1	1
RA0720721X	6R-6' Plain		1	1	1
RA0120720X	6R-1' Plain		1	1	1
RR0480841X	7RR-4' Plain		3	3	3
RR0360840X	7RR-3' Plain		1	1	1
XXX-XXX	Panel Brace		16	16	16
IPC-HDWSTRT150	Hardware, Straight 150 Pack		2	2	2
IPC-STKPK25	Rebar Stake, 18" 25 Pack		2	2	2
	6ft - R9ft Step		-	1	-
	8ft - R9ft Leisure Step		-	-	1

	A	B	C	D
1	9'-10 3/4"	22'-4 1/4"	23'-1 1/2"	11'-6 1/4"
2	22'-4 1/4"	9'-10 3/4"	11'-6 1/4"	23'-1 1/2"
3	17'-4 3/4"	17'-4 3/4"	15'-4"	15'-4"
4	15'	15'	25'-5 1/2"	25'-5 1/2"
5	29'-10 3/4"	22'-1 1/2"	8'-5 3/4"	21'-9 3/4"
6	22'-1 1/2"	29'-10 3/4"	21'-9 3/4"	8'-5 3/4"
7	18'-7 1/2"	23'-1"	17'-5 1/2"	10'-10 1/4"
8	15'-8"	25'-4 3/4"	21'-3 3/4"	7'-4 1/4"
9	10'-9 3/4"	17'-6"	23'-0 3/4"	18'-6"
10	17'-6"	10'-9 3/4"	18'-6"	23'-0 3/4"
11	25'-4 3/4"	15'-8"	7'-4 1/4"	21'-3 3/4"
12	23'-1"	18'-7 1/2"	10'-10 1/4"	17'-5 1/2"
H2	16'-2 1/4"	24'-7 3/4"	20'-4"	8'-3 1/4"
H1	8'	20'-2 3/4"	25'-10"	17'-11 1/2"
S1	16'-1"	12'-4 1/4"	18'-11 1/4"	21'-6 3/4"
S2	22'-6 1/4"	20'-0 1/4"	12'-2 3/4"	16'
A	-	28'-2 3/4"	32'-6 1/4"	16'-1 3/4"



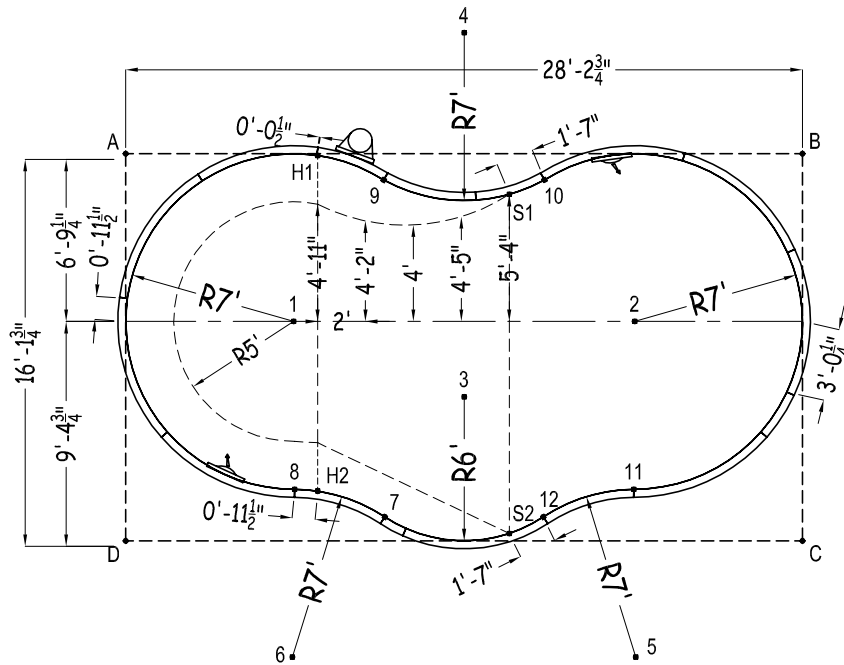
KAFKO POOL PRODUCTS		OASIS 14' x 28' RIGHT	
STEEL	PERIMETER:	74'	VOLUME (US Gal): 10 000
DWG #: KAGM00S1428R10	AREA (SqFt):	354	VOLUME (Litres): 37 900
PART# : GM00S1428	LINER AREA (SqFt):	394	DATE: 01/Jan/2010
	SAFETY COVER (SqFt):	592	SCALE: 1/8" = 1'-0"

NON-DIVING POOL
USE OF DIVING EQUIPMENT IS PROHIBITED

MEETS DEPTH AND SHAPE MINIMUM STANDARD ANSI/NSPI5-2003

OASIS

Center To Center	7 To 11	10'-5 1/4"	
1 To 2	14'-2 3/4"	7 To 12	6'-7 1/4"
1 To 3	7'-9 1/2"	8 To 9	13'-5 1/4"
1 To 4	14'	8 To 10	16'-7 1/4"
1 To 5	20'	8 To 11	14'-1 3/4"
1 To 6	14'	8 To 12	10'-5 1/4"
2 To 3	7'-9 1/2"	9 To 10	6'-8 1/2"
2 To 4	14'	9 To 11	16'-7 1/4"
2 To 5	14'	9 To 12	15'-6 3/4"
2 To 6	20'	10 To 11	13'-5 1/4"
3 To 4	15'-2 1/4"	10 To 12	14'-0 3/4"
3 To 5	13'	11 To 12	3'-11 1/4"
3 To 6	13'		
4 To 5	27'-0 1/4"		
4 To 6	27'-0 1/4"		
5 To 6	14'-3 3/4"		
Diagonals			
7 To 8	3'-11 1/4"		
7 To 9	14'-0 3/4"		
7 To 10	15'-6 3/4"		



2010

No Step
Option 1
Option 2

Part number	Description	Qty	Qty	Qty	
RA0720841X	7R-6' Plain		5	4	3
RA0720841*	7R-6' Return		2	2	2
RA0600841X	7R-5' Plain		1	1	1
RA0360840X	7R-3' Plain		-	-	2
RA0360840*	7R-3' Skimmer		1	1	1
RA0240840X	7R-2' Plain		1	1	-
RA0720721X	6R-6' Plain		1	1	1
RA0120720X	6R-1' Plain		1	1	1
RR0480841X	7RR-4' Plain		3	3	3
RR0360840X	7RR-3' Plain		1	1	1
XXX-XXX	Panel Brace		16	16	16
IPC-HDWSTRT150	Hardware, Straight 150 Pack		2	2	2
IPC-STKPK25	Rebar Stake, 18" 25 Pack		2	2	2
	6ft Curved Step		-	1	-
	8ft Curved Step		-	-	1

	A	B	C	D
1	9'-10 3/4"	22'-4 1/4"	23'-1 1/2"	11'-6 1/4"
2	22'-4 1/4"	9'-10 3/4"	11'-6 1/4"	23'-1 1/2"
3	17'-4 3/4"	17'-4 3/4"	15'-4"	15'-4"
4	15'	15'	25'-5 1/2"	25'-5 1/2"
5	29'-10 3/4"	22'-1 1/2"	8'-5 3/4"	21'-9 3/4"
6	22'-1 1/2"	29'-10 3/4"	21'-9 3/4"	8'-5 3/4"
7	18'-7 1/2"	23'-1"	17'-5 1/2"	10'-10 1/4"
8	15'-8"	25'-4 3/4"	21'-3 3/4"	7'-4 1/4"
9	10'-9 3/4"	17'-6"	23'-0 3/4"	18'-6"
10	17'-6"	10'-9 3/4"	18'-6"	23'-0 3/4"
11	25'-4 3/4"	15'-8"	7'-4 1/4"	21'-3 3/4"
12	23'-1"	18'-7 1/2"	10'-10 1/4"	17'-5 1/2"
H2	16'-2 1/4"	24'-7 3/4"	20'-4"	8'-3 1/4"
H1	8'	20'-2 3/4"	25'-10"	17'-11 1/2"
S1	16'-1"	12'-4 1/4"	18'-11 1/4"	21'-6 3/4"
S2	22'-6 1/4"	20'-0 1/4"	12'-2 3/4"	16'
A	-	28'-2 3/4"	32'-6 1/4"	16'-1 3/4"