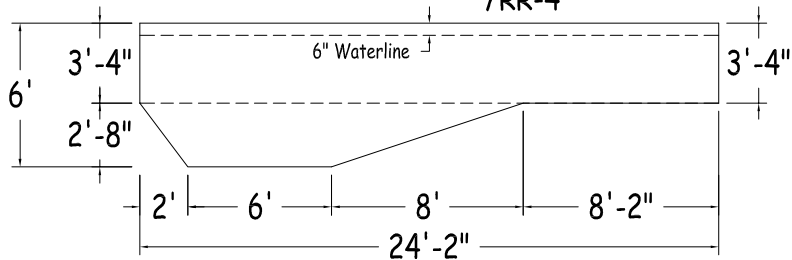
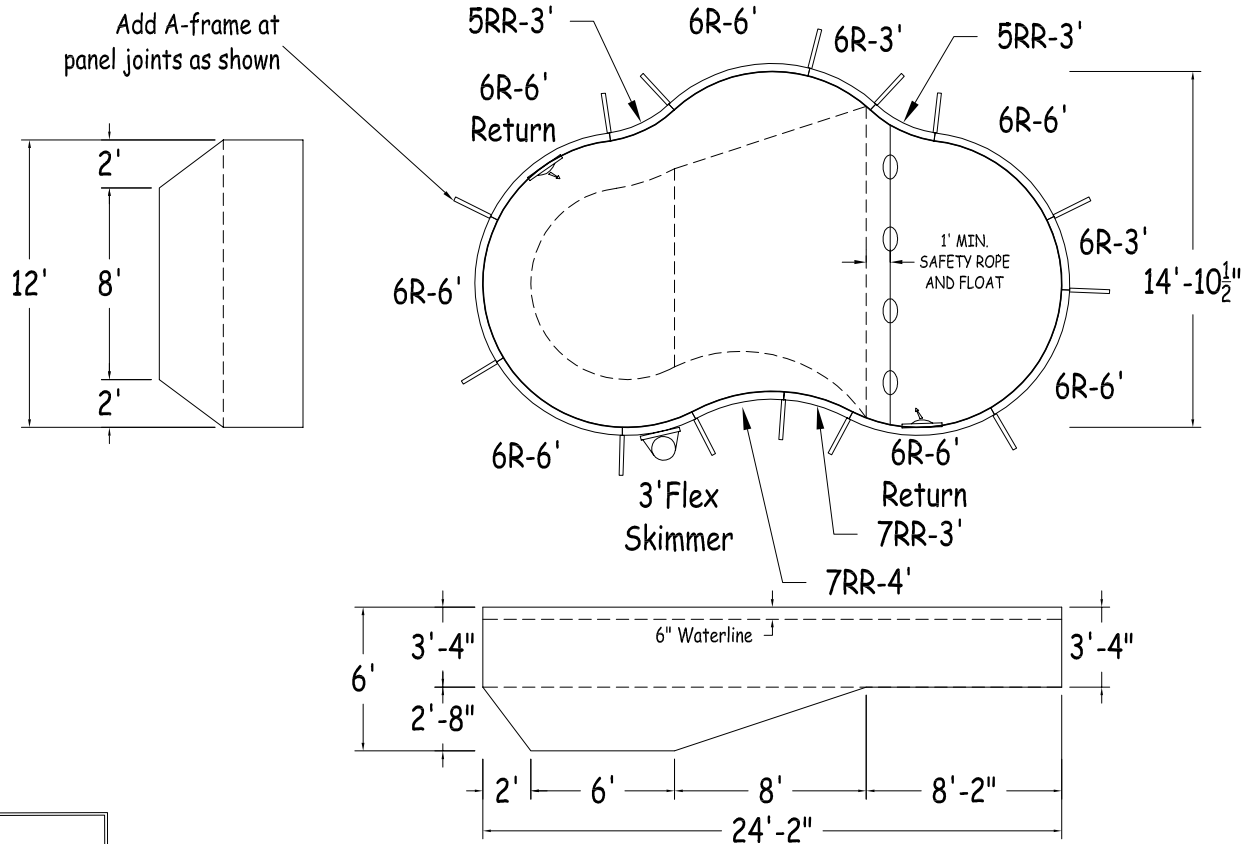
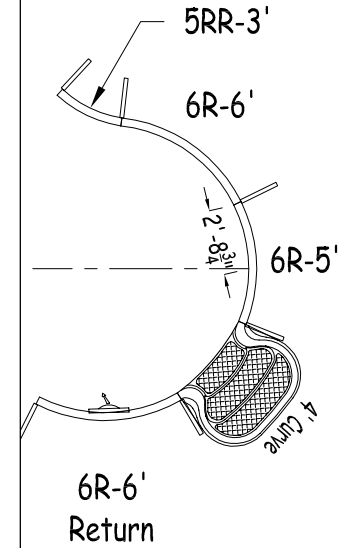


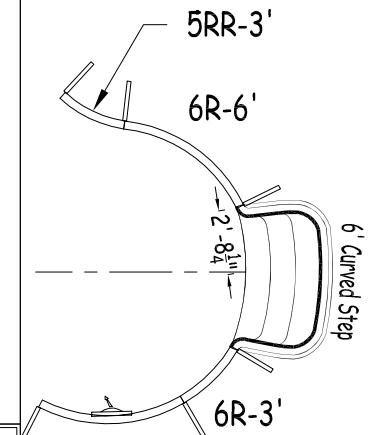
Add A-frame at panel joints as shown



Steps Position



Step Option 1



6R-6' Return

Step Option 2

SHEET: 1 OF 2



<b>KAFKO POOL PRODUCTS</b>		<b>OASIS 12' x 24' LEFT</b>	
STEEL	PERIMETER: 64'	VOLUME (US Gal): 8 000	
DWG #: KAGM00S1224L10	AREA (SqFt): 271	VOLUME (Litres): 30 300	
PART#: GM00S1224	LINER AREA (SqFt): 290	DATE: 01/Jan/2010	
	SAFETY COVER (SqFt): 482	SCALE: 1/8" = 1'-0"	

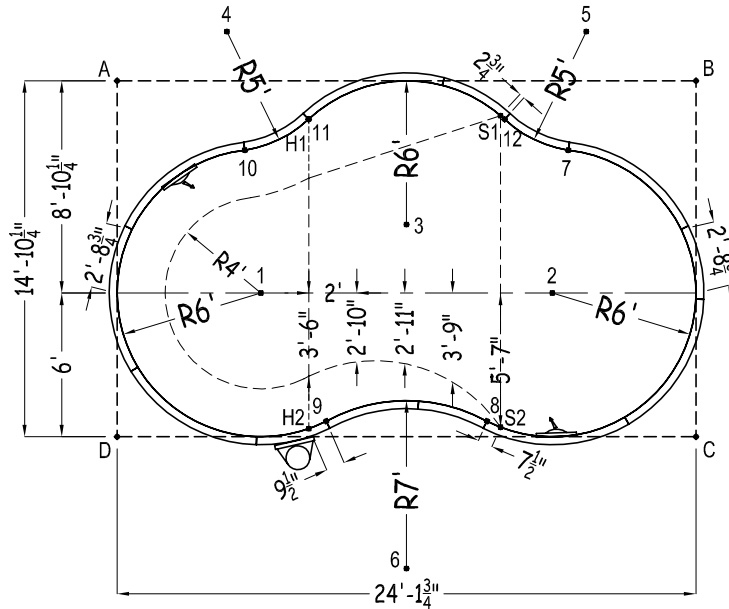


**NON-DIVING POOL**  
USE OF DIVING EQUIPMENT IS PROHIBITED

MEETS DEPTH AND SHAPE MINIMUM STANDARD ANSI/NSPI5-2003

**OASIS**

Center To Center	7 To 11	10'-11"
1 To 2	12'-1 3/4"	7 To 12
1 To 3	6'-8 1/2"	8 To 9
1 To 4	11'	8 To 10
1 To 5	17'-5"	8 To 11
1 To 6	13'	8 To 12
2 To 3	6'-8 1/2"	9 To 10
2 To 4	17'-5"	9 To 11
2 To 5	11'	9 To 12
2 To 6	13'	10 To 11
3 To 4	11'	10 To 12
3 To 5	11'	11 To 12
3 To 6	14'-4 1/4"	
4 To 5	15'	
4 To 6	23'-7 1/2"	
5 To 6	23'-7 1/2"	
Diagonals		
7 To 8	11'-9 3/4"	
7 To 9	15'-2"	
7 To 10	13'-6"	

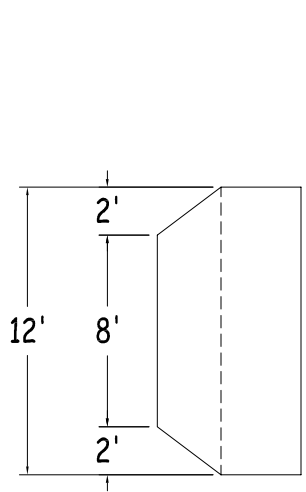


# 2010

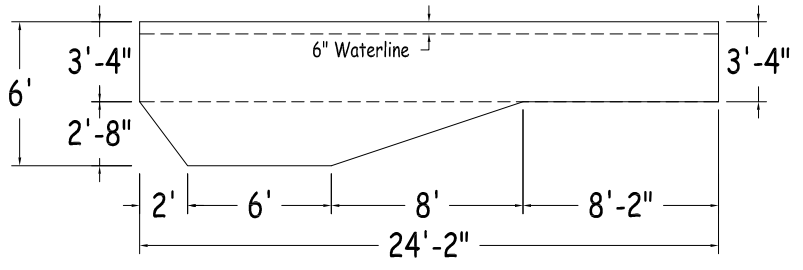
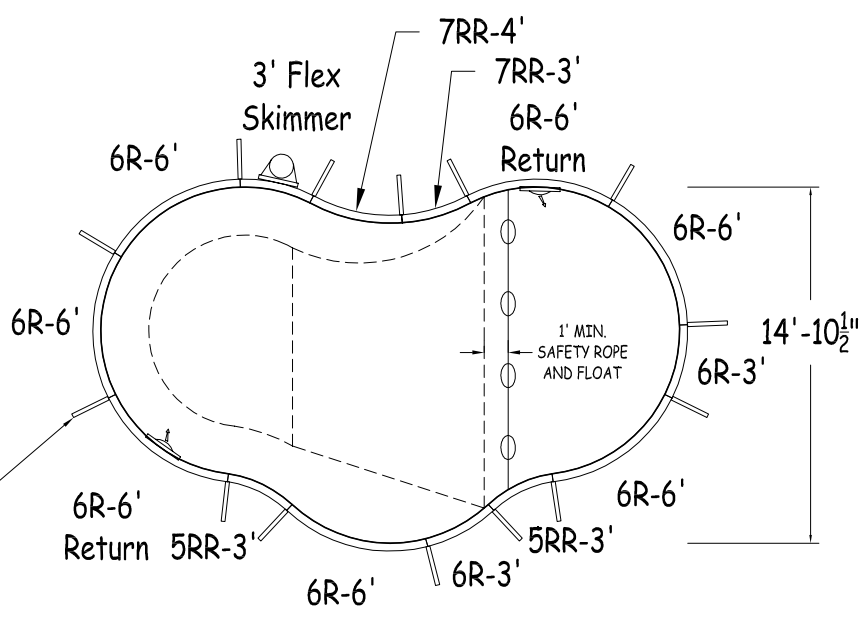
No Step  
Option 1  
Option 2

Part number	Description	Qty	Qty	Qty
RA0720721X	6R-6' Plain		5	4
RA0720721*	6R-6' Return		2	2
RA0600721X	6R-5' Plain		-	1
RA0360720X	6R-3' Plain		2	1
RA036FLX0*	3' Flex Skimmer		1	1
RR0360600X	5RR-3' Plain		2	2
RR0480841X	7RR-4' Plain		1	1
RR0360840X	7RR-3' Plain		1	1
XXX-XXX	Panel Brace		14	14
IPC-HDWSTR150	Hardware, Straight 150 Pack		1	1
IPC-STKPK25	Rebar Stake, 18" 25 Pack		2	2
	4ft Curved Step		-	1
	6ft Curved Step		-	1

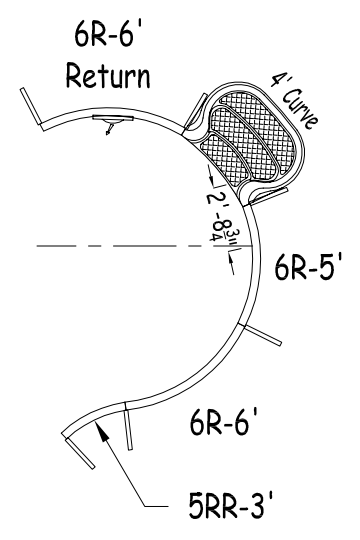
	A	B	C	D
1	10'-8 1/2"	20'-2 1/2"	19'-1 1/2"	8'-5 3/4"
2	20'-2 1/2"	10'-8 1/2"	8'-5 3/4"	19'-1 1/2"
3	13'-5 3/4"	13'-5 3/4"	14'-11 3/4"	14'-11 3/4"
4	5'-0 1/4"	19'-8 1/4"	25'-10 1/2"	17'-6 1/4"
5	19'-8 1/4"	5'-0 1/4"	17'-6 1/4"	25'-10 1/2"
6	23'-8"	23'-8"	13'-3 1/4"	13'-3 1/4"
7	19'-0 1/2"	6'-0 3/4"	13'-1 1/4"	22'-3 3/4"
8	20'-11 3/4"	16'-8"	8'-9"	15'-5 1/4"
9	16'-8"	20'-11 3/4"	15'-5 1/4"	8'-9"
10	6'-0 3/4"	19'-0 1/2"	22'-3 3/4"	13'-1 1/4"
11	8'-1 3/4"	16'-3"	20'-10 3/4"	15'-5 3/4"
12	16'-3"	8'-1 3/4"	15'-5 3/4"	20'-10 3/4"
H2	16'-7"	21'-8 1/2"	16'-2"	8'
H1	8'-2"	16'-2 3/4"	20'-10 3/4"	15'-5 3/4"
S2	21'-6 3/4"	16'-7 1/4"	8'-2"	16'
S1	16'-0 3/4"	8'-3 1/2"	15'-8 1/4"	20'-10 1/2"
A	-	24'-1 3/4"	28'-4 1/4"	14'-10 1/4"



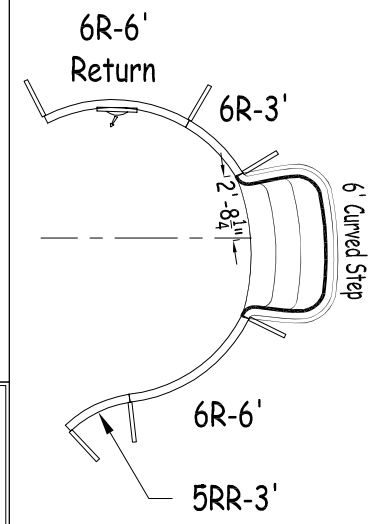
Add A-frame at panel joints as shown



Steps Position



Step Option 1



Step Option 2



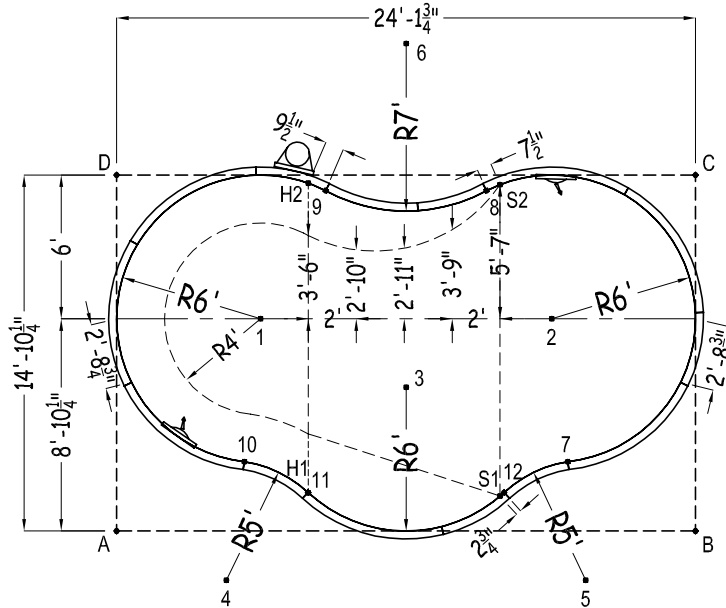
	<b>OASIS 12' x 24' RIGHT</b>			
	STEEL	PERIMETER: 64'	VOLUME (US Gal): 8 000	
DWG #: KAGM00S1224R10	AREA (SqFt): 271	VOLUME (Litres): 30 300	DATE: 1/Jan/2010	
PART#: GM00S1224	LINER AREA (SqFt): 290	SAFETY COVER (SqFt): 482	SCALE: 1/8" = 1'-0"	

**NON-DIVING POOL**

USE OF DIVING EQUIPMENT IS PROHIBITED

MEETS DEPTH AND SHAPE MINIMUM STANDARD ANSI/NSPI5-2003

Center To Center	7 To 11	10'-11"	
1 To 2	12'-1 3/4"	7 To 12	2'-11 1/2"
1 To 3	6'-8 1/2"	8 To 9	6'-8 1/2"
1 To 4	11'	8 To 10	15'-2"
1 To 5	17'-5"	8 To 11	14'-7 1/2"
1 To 6	13'	8 To 12	12'-7 1/2"
2 To 3	6'-8 1/2"	9 To 10	11'-9 3/4"
2 To 4	17'-5"	9 To 11	12'-7 1/2"
2 To 5	11'	9 To 12	14'-7 1/2"
2 To 6	13'	10 To 11	2'-11 1/2"
3 To 4	11'	10 To 12	10'-11"
3 To 5	11'	11 To 12	8'-2 1/4"
3 To 6	14'-4 1/4"		
4 To 5	15'		
4 To 6	23'-7 1/2"		
5 To 6	23'-7 1/2"		
Diagonals			
7 To 8	11'-9 3/4"		
7 To 9	15'-2"		
7 To 10	13'-6"		



		2010		
		No Step	Option 1	Option 2
Part number	Description	Qty	Qty	Qty
RA0720721X	6R-6' Plain	5	4	4
RA0720721*	6R-6' Return	2	2	2
RA0600721X	6R-5' Plain	-	1	-
RA0360720X	6R-3' Plain	2	1	2
RA036FLX0*	3' Flex Skimmer	1	1	1
RR0360600X	5RR-3' Plain	2	2	2
RR0480841X	7RR-4' Plain	1	1	1
RR0360840X	7RR-3' Plain	1	1	1
XXX-XXX	Panel Brace	14	14	14
IPC-HDWSTRT150	Hardware, Straight 150 Pack	1	1	1
IPC-STKPK25	Rebar Stake, 18" 25 Pack	2	2	2
	4ft Curved Step	-	1	-
	6ft - R9ft Step	-	-	1

	A	B	C	D
1	10'-8 1/2"	20'-2 1/2"	19'-1 1/2"	8'-5 3/4"
2	20'-2 1/2"	10'-8 1/2"	8'-5 3/4"	19'-1 1/2"
3	13'-5 3/4"	13'-5 3/4"	14'-11 3/4"	14'-11 3/4"
4	5'-0 1/4"	19'-8 1/4"	25'-10 1/2"	17'-6 1/4"
5	19'-8 1/4"	5'-0 1/4"	17'-6 1/4"	25'-10 1/2"
6	23'-8"	23'-8"	13'-3 1/4"	13'-3 1/4"
7	19'-0 1/2"	6'-0 3/4"	13'-1 1/4"	22'-3 3/4"
8	20'-11 3/4"	16'-8"	8'-9"	15'-5 1/4"
9	16'-8"	20'-11 3/4"	15'-5 1/4"	8'-9"
10	6'-0 3/4"	19'-0 1/2"	22'-3 3/4"	13'-1 1/4"
11	8'-1 3/4"	16'-3"	20'-10 3/4"	15'-5 3/4"
12	16'-3"	8'-1 3/4"	15'-5 3/4"	20'-10 3/4"
H2	16'-7"	21'-8 1/2"	16'-2"	8'
H1	8'-2"	16'-2 3/4"	20'-10 3/4"	15'-5 3/4"
S2	21'-6 3/4"	16'-7 1/4"	8'-2"	16'
S1	16'-0 3/4"	8'-3 1/2"	15'-8 1/4"	20'-10 1/2"
A	-	24'-1 3/4"	28'-4 1/4"	14'-10 1/4"