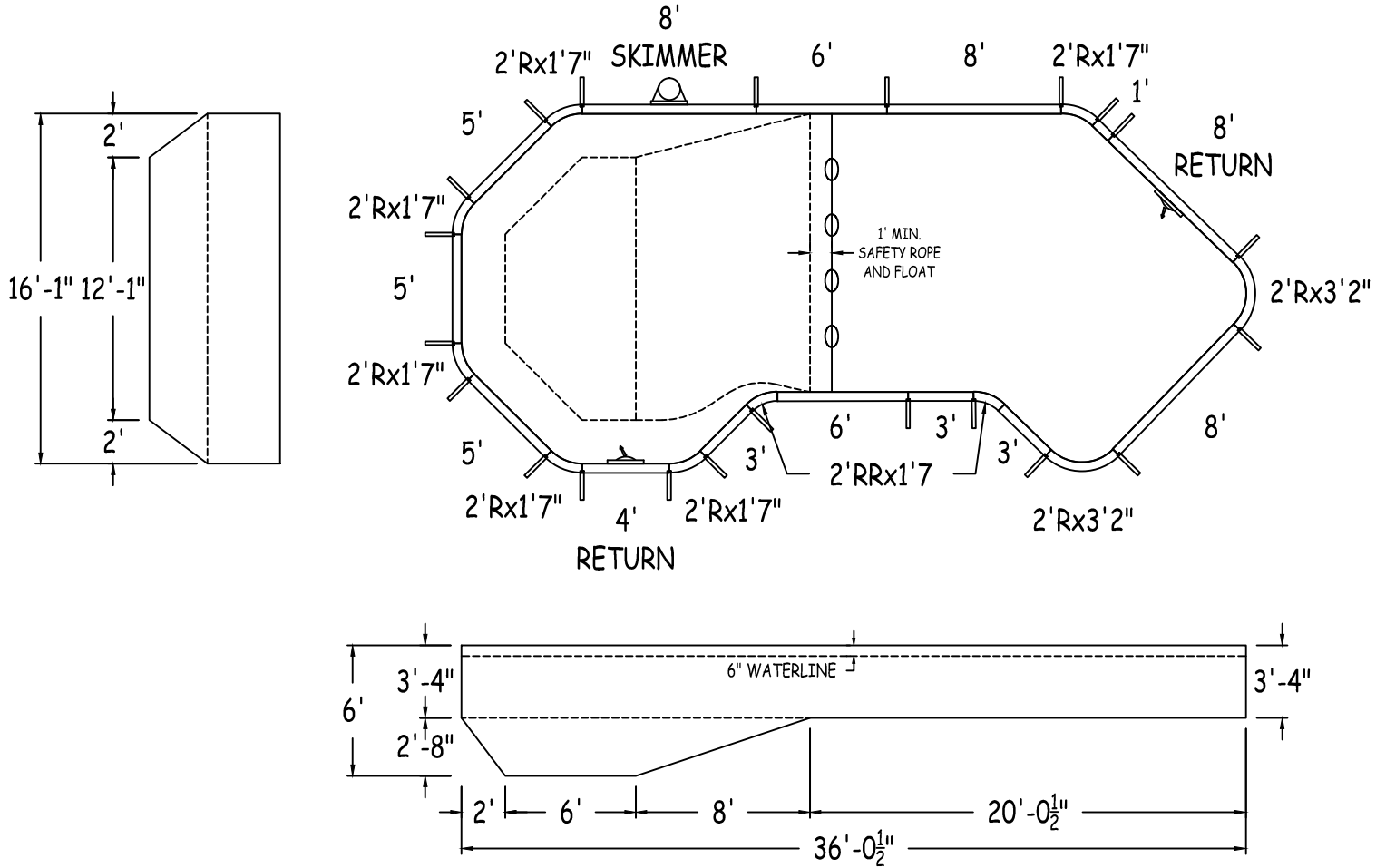


IN ACCORDANCE WITH ANSI/APSP/ICC-5 2011, THE INSTALLER IS RESPONSIBLE FOR PLACING ONE SKIMMER FOR EVERY 800 SQUARE FEET OF SURFACE AREA AND ONE RETURN FOR EVERY 300 SQUARE FEET OF SURFACE AREA.



**LATHAM STEEL**

TECH-C 2FT RAD 16-1 x 16-0 x 36-0 LEFT

42" STEEL PANELS

PERIMETER: 91'-10" VOLUME (US Gal): 12700

DWG#:

SURFACE (ft²): 458 VOLUME (Liters): 48100

2017-SPL-48340

LINER (ft²): 579 DATE: 7/25/2017 DSR: 136

KIT#:

CUSTOMKIT COVER (ft²): 687 SCALE: 1/8" = 1'-0"



**NON-DIVING POOL**

USE OF DIVING EQUIPMENT IS PROHIBITED

ALL ASPECTS OF THIS DRAWING COMPLIES WITH ANSI/APSP/ICC-5 2011 AND 2015 ISPSC

CUSTOMER: PENGUIN POOL

JOB NAME: MEXICO



Diagonals	2 to 10	22'-3/4"	4 to 10	13'-4 1/2"	6 to 14	26'-8 1/2"	9 to 11	10'-5 1/2"	12 to 17	12'-6 3/4"	
S1 to S2	2 to 11	15'-7 1/4"	4 to 11	18'-11 1/4"	6 to 15	30'-7 1/4"	9 to 12	11'-10 1/2"	12 to 18	13'-4 1/2"	
H1 to H2	2 to 12	15'-4"	4 to 12	20'-5"	6 to 16	31'-10 1/2"	9 to 13	14'-1 3/4"	12 to 19	15'-2 3/4"	
S1 to H1	8'-0"	2 to 13	16'-4 3/4"	4 to 13	23'-4 3/4"	6 to 17	34'-11 1/2"	9 to 14	15'-7 3/4"	12 to 20	15'-6 1/2"
S2 to H2	8'-7 3/4"	2 to 14	16'-6 3/4"	4 to 14	24'-10 1/4"	6 to 18	35'-5 3/4"	9 to 15	19'-7"	13 to 14	1'-6 1/4"
S1 to H2	17'-11 1/2"	2 to 15	16'-3/4"	4 to 15	28'-1 1/4"	6 to 19	35'-8 1/2"	9 to 16	20'-11"	13 to 15	5'-5 1/4"
H1 to S2	15'-1"	2 to 16	15'-6 1/2"	4 to 16	28'-11 3/4"	6 to 20	35'-3 3/4"	9 to 17	24'-4 3/4"	13 to 16	6'-10"
1 to 2	1'-6 1/4"	2 to 17	12'-11 1/4"	4 to 17	30'-7"	7 to 8	2'-10"	9 to 18	25'-1 1/4"	13 to 17	10'-11 1/2"
1 to 3	23'-5"	2 to 18	11'-10 3/4"	4 to 18	30'-7 1/2"	7 to 9	5'-4 1/2"	9 to 19	26'-1 1/2"	13 to 18	12'-1/4"
1 to 4	24'-10"	2 to 19	7'-10"	4 to 19	29'-4 3/4"	7 to 10	6'-11"	9 to 20	26'-1/2"	13 to 19	14'-9 1/2"
1 to 5	31'-11"	2 to 20	6'-5 1/4"	4 to 20	28'-7 1/4"	7 to 11	15'-7 3/4"	10 to 11	9'-1/4"	13 to 20	15'-4 1/2"
1 to 6	32'-7 1/2"	3 to 4	1'-6 1/4"	5 to 6	2'-10"	7 to 12	16'-11 1/2"	10 to 12	10'-5 1/2"	14 to 15	4'-0"
1 to 7	29'-9"	3 to 5	10'-5"	5 to 7	10'-2 1/4"	7 to 13	18'-11 1/2"	10 to 13	12'-10 1/4"	14 to 16	5'-5 1/4"
1 to 8	27'-4 1/4"	3 to 6	12'-5 3/4"	5 to 8	11'-11 3/4"	7 to 14	20'-4 3/4"	10 to 14	14'-4 1/4"	14 to 17	9'-10 1/4"
1 to 9	24'-5"	3 to 7	15'-7"	5 to 9	12'-4 1/4"	7 to 15	24'-4 3/4"	10 to 15	18'-3 1/4"	14 to 18	11'-1/4"
1 to 10	22'-11"	3 to 8	15'-5 1/4"	5 to 10	13'-3 3/4"	7 to 16	25'-9 1/2"	10 to 16	19'-7"	14 to 19	14'-2 1/2"
1 to 11	16'-0"	3 to 9	13'-7 1/4"	5 to 11	21'-9 1/4"	7 to 17	29'-6 1/2"	10 to 17	22'-11 1/4"	14 to 20	14'-11 1/4"
1 to 12	15'-7 1/4"	3 to 10	13'-4 3/4"	5 to 12	23'-3 1/2"	7 to 18	30'-3 3/4"	10 to 18	23'-7 1/2"	15 to 16	1'-6 1/4"
1 to 13	16'-4 3/4"	3 to 11	18'-3 1/4"	5 to 13	25'-11 1/2"	7 to 19	31'-6"	10 to 19	24'-7 1/4"	15 to 17	6'-5 1/4"
1 to 14	16'-4 3/4"	3 to 12	19'-8 1/4"	5 to 14	27'-5 3/4"	7 to 20	31'-5"	10 to 20	24'-6"	15 to 18	7'-10"
1 to 15	15'-6 1/2"	3 to 13	22'-8 1/4"	5 to 15	31'-3 1/2"	8 to 9	3'-0"	11 to 12	1'-6 1/4"	15 to 19	11'-10 3/4"
1 to 16	14'-10 3/4"	3 to 14	24'-1 1/2"	5 to 16	32'-5 3/4"	8 to 10	4'-5 1/2"	11 to 13	4'-5 1/2"	15 to 20	12'-11 1/4"
1 to 17	11'-10 3/4"	3 to 15	27'-3"	5 to 17	35'-2 1/2"	8 to 11	12'-10 1/2"	11 to 14	5'-11 1/4"	16 to 17	5'-0"
1 to 18	10'-9 1/4"	3 to 16	28'-3/4"	5 to 18	35'-7 1/4"	8 to 12	14'-2"	11 to 15	9'-6 1/2"	16 to 18	6'-5 1/4"
1 to 19	6'-5 1/4"	3 to 17	29'-5 3/4"	5 to 19	35'-5 1/4"	8 to 13	16'-1 3/4"	11 to 16	10'-8 1/2"	16 to 19	10'-9 1/4"
1 to 20	5'-0"	3 to 18	29'-5 3/4"	5 to 20	34'-11 1/4"	8 to 14	17'-6 3/4"	11 to 17	13'-11"	16 to 20	11'-10 3/4"
2 to 3	22'-0"	3 to 19	28'-1"	6 to 7	7'-11 3/4"	8 to 15	21'-6 3/4"	11 to 18	14'-8"	17 to 18	1'-6 1/4"
2 to 4	23'-5 1/4"	3 to 20	27'-3 1/4"	6 to 8	10'-2"	8 to 16	22'-11 1/2"	11 to 19	16'-2 1/4"	17 to 19	6'-5 1/4"
2 to 5	30'-7 3/4"	4 to 5	9'-0"	6 to 9	11'-1 3/4"	8 to 17	26'-8 3/4"	11 to 20	16'-4 1/2"	17 to 20	7'-10"
2 to 6	31'-5 1/4"	4 to 6	11'-2 1/4"	6 to 10	12'-4 1/4"	8 to 18	27'-6 1/4"	12 to 13	3'-0"	18 to 19	5'-0"
2 to 7	28'-10"	4 to 7	14'-10 1/2"	6 to 11	21'-2 1/2"	8 to 19	28'-10"	12 to 14	4'-5 1/2"	18 to 20	6'-5 1/4"
2 to 8	26'-6"	4 to 8	15'-0"	6 to 12	22'-8 1/4"	8 to 20	28'-9 3/4"	12 to 15	8'-0"	19 to 20	1'-6 1/4"
2 to 9	23'-6 1/2"	4 to 9	13'-5"	6 to 13	25'-2 1/4"	9 to 10	1'-6 1/4"	12 to 16	9'-2 1/4"		

		Base
Part number	Description	QTY
ST0960002X	8'	2
ST0960002*	8' SKIMMER	1
ST0960002*	8' RETURN	1
ST0720001X	6'	2
ST0600001X	5'	3
ST0480001*	4' RETURN	1
ST0360000X	3'	3
ST0120000X	1'	1
CN0380241X	2Rx3'2"	2
CN0190240X	2Rrx1'7"	6
CR0190240X	2Rrx1'7"	2
Brace	Brace	22
IPC-STKPK25	REBAR STAKE 18" 25PC	2
IPC-HDWSTRT150	BOLT STR 3/8-16X1" C/W NUT 150PC	2

	A	B	C	D
1	4'-2"	31'-11"	35'-5 1/2"	16'-1/4"
2	5'-6 1/2"	30'-6"	34'-5 1/2"	17'-0"
3	27'-6 1/2"	8'-6"	18'-2"	31'-10 1/2"
4	28'-11 1/2"	7'-1"	17'-1/2"	32'-10 1/4"
5	36'-3/4"	6'-10 1/4"	9'-3 1/4"	36'-7 1/4"
6	36'-9"	9'-8"	6'-5 1/4"	36'-1/2"
7	33'-7 3/4"	16'-6 3/4"	6'-1 3/4"	29'-11"
8	31'-2 1/4"	17'-10"	8'-11 1/2"	27'-1 1/4"
9	28'-3 1/2"	17'-4 1/4"	11'-5"	25'-1"
10	26'-9 1/4"	17'-10 1/2"	12'-11 1/4"	23'-9"
11	19'-3 3/4"	25'-1/2"	21'-9 1/2"	14'-10 1/4"
12	18'-8 1/4"	26'-6 3/4"	23'-1 1/4"	13'-4 1/4"
13	18'-11 1/2"	29'-5 3/4"	25'-1"	10'-11 1/2"
14	18'-8 1/4"	30'-11 3/4"	26'-6"	9'-6 1/2"
15	17'-0"	34'-5 1/2"	30'-6"	5'-6 1/2"
16	16'-1/4"	35'-5 1/2"	31'-11"	4'-2"
17	11'-11 1/2"	37'-4 3/4"	35'-8 1/4"	4'-2"
18	10'-6 1/2"	37'-6 1/2"	36'-5 1/2"	5'-6 1/2"
19	5'-6 1/2"	36'-5 1/2"	37'-6 1/2"	10'-6 1/2"
20	4'-2"	35'-8 1/4"	37'-4 3/4"	11'-11 1/2"
S2	20'-5 3/4"	23'-9"	20'-3 1/2"	16'-4"
S1	16'-0"	20'-1/4"	25'-8 1/4"	22'-8 1/4"
H2	17'-11 1/2"	32'-3 3/4"	28'-1/4"	8'-0"
H1	8'-0"	28'-1/4"	32'-3 3/4"	17'-11 1/2"
A	-	36'-1/4"	39'-5 1/2"	16'-3/4"

