

	Steel	
	Bahama Lazy-L 14' x 28' Left	
DWG #: KAL2S42-1428-6'H_07L	AREA (SqFt): 367	PERIMETER: 77'-3"
VOLUME (US Gal): 10 400	LINER AREA (SqFt): 370	DATE: 1/01/2007
VOLUME (Litres): 39 200	SAFETY COVER (SqFt): 455	SCALE: 1/8" = 1'

NON-DIVING POOL

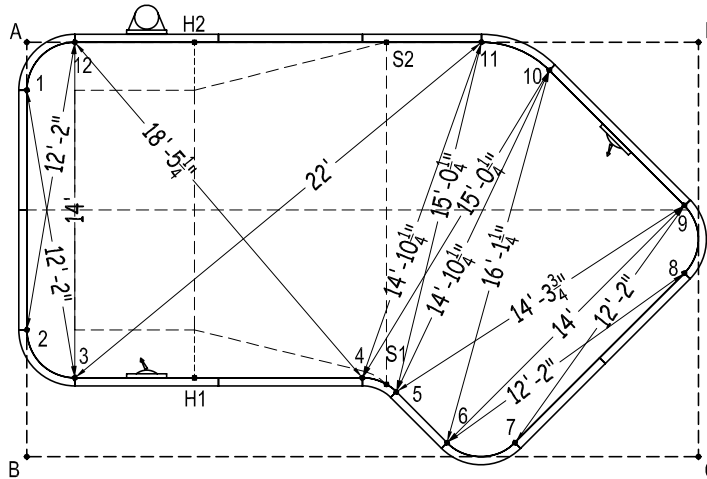
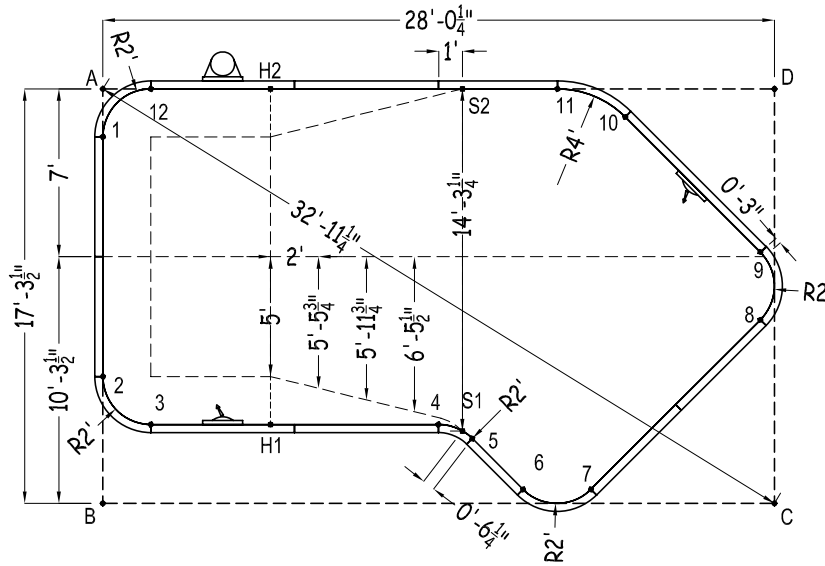
USE OF DIVING EQUIPMENT IS PROHIBITED

MEETS DEPTH AND SHAPE MINIMUM STANDARD ANSI/NSPI5-2003

Bahama Lazy-L

2007

No Step
6' Step
8' Step



Part number	Description	Qty	Qty	Qty
02-SI08	8' Inlet	1	1	1
02-SI06	6' Inlet	1	1	1
02-SP06	6' Plain	2	2	2
02-SS06	6' Skimmer	1	1	1
02-SP05	5' Plain	5	3	3
02-SP03	3' Plain	1	1	1
02-SP02	2' Plain	-	2	-
02-SP01	1' Plain	-	-	2
02-CP03E-04	4R-3'2"	1	1	1
02-RP01P-02	2RR-1'7"	1	1	1
02-CB	2'x2'	4	4	4
	6' Straight Step	-	1	-
	8' Kafko Straight Step	-	-	1
A-Frame	A-Frame Multiplier	16	17	17
15-0632-9	Optional Deck Supports	33	32	32

	A	B	C	D
1	2'	15'-3 1/2"	31'-11"	28'-1"
2	12'	5'-3 1/2"	28'-6 1/4"	30'-5 3/4"
3	14'-1 3/4"	3'-10 1/4"	26'-2 3/4"	29'-6 1/2"
4	19'-9 1/2"	14'-4 1/2"	14'-4 3/4"	19'-9 3/4"
5	21'-2 3/4"	15'-7 3/4"	12'-10 3/4"	19'-3 1/4"
6	24'-2 3/4"	17'-6 1/2"	10'-6"	19'-8 3/4"
7	26'-4"	20'-4 1/2"	7'-8 1/4"	18'-4 1/2"
8	29'-1"	28'-5 3/4"	7'-8 1/4"	9'-7 3/4"
9	28'-3 1/4"	29'-4 1/2"	10'-6"	6'-10"
10	21'-10"	27'-1 1/4"	17'-3 1/4"	6'-4"
11	18'-11 3/4"	25'-8"	19'-6 1/4"	9'-0 1/2"
12	2'	17'-5"	31'-3"	26'-0 1/4"
H1	15'-7 3/4"	7'-8 3/4"	21'-3 1/4"	25'-3"
H2	7'	18'-7 3/4"	27'-2 3/4"	21'-0 1/4"
S1	20'-8 1/2"	15'-3 1/2"	13'-4 1/2"	19'-3 3/4"
S2	15'	22'-10 3/4"	21'-7 3/4"	13'-0 1/4"
A	-	17'-3 1/2"	32'-11 1/4"	28'-0 1/4"