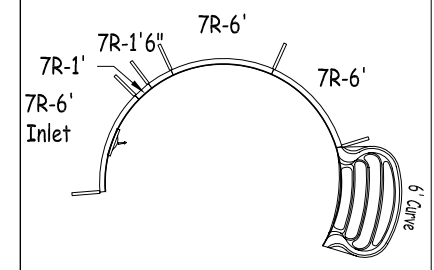
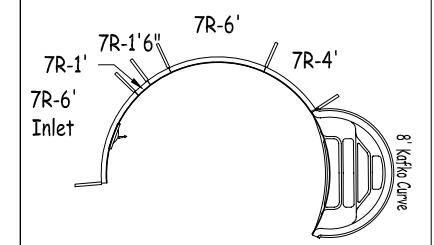


Steps Position



6' Step Option



8' Step Option



Steel
Lagoon 14' x 28' Right

AREA (SqFt):	515	PERIMETER:	96'-1"
VOLUME (US Gal):	14 000	DATE:	1/01/2007
VOLUME (Litres):	53 000	SAFETY COVER (SqFt):	765
		SCALE:	1/8" = 1'-0"



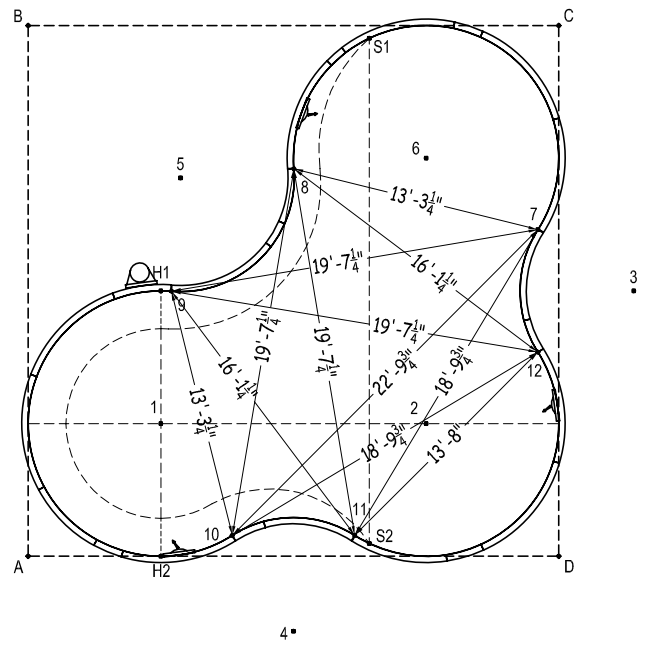
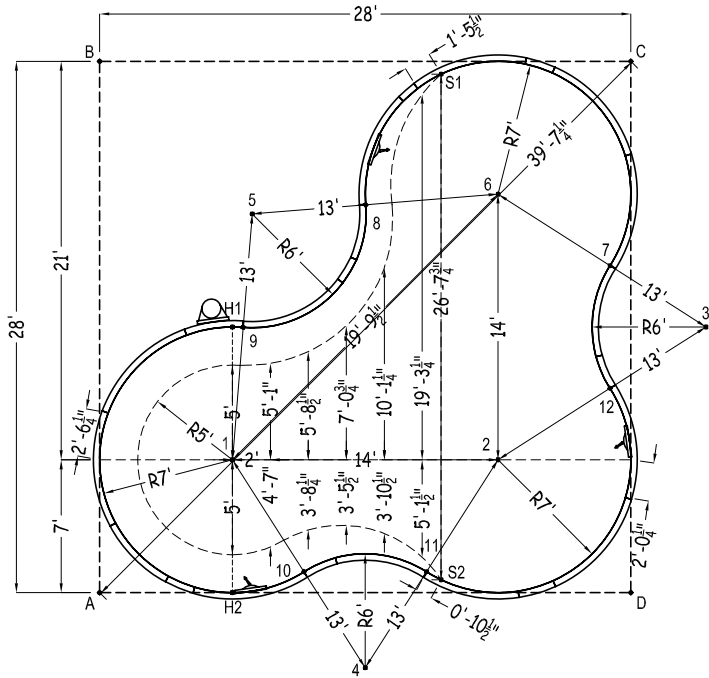
NON-DIVING POOL
USE OF DIVING EQUIPMENT IS PROHIBITED

MEETS DEPTH AND SHAPE MINIMUM STANDARD ANSI/NSPI5-2003

Lagoon

2007

No Step
6' Step
8' Step



Part number	Description	Qty	Qty	Qty
02-CP06A-07	7R-6'	6	5	4
02-CI06A-07	7R-6' Inlet	3	3	3
02-CP05A-07	7R-5'	1	1	1
02-CP04A-07	7R-4'	1	1	2
02-CP01Y-07	7R-1'11"	1	1	1
02-CP01M-07	7R-1'6"	2	2	2
02-CP01A-07	7R-1'	1	1	1
02-RP06A-06	B-6'	1	1	1
02-RP05A-06	B-5'	2	2	2
02-RP03A-06	B-3'	1	1	1
02-RP01W-06	B-1'10"	2	2	2
02-RP01K-06	B-1'5"	1	1	1
02-CK03A-00	3' Flex Skimmer	1	1	1
	6' Curve Step	-	1	-
	8' Kafko Curve Step	-	-	1
A-Frame	A-Frame Multiplier	23	23	23
15-0632-9	Optional Deck Supports	47	45	44

	A	B	C	D
1	9'-10 3/4"	22'-1 3/4"	29'-8 1/2"	22'-1 3/4"
2	22'-1 3/4"	29'-8 1/2"	22'-1 3/4"	9'-10 3/4"
3	34'-10 3/4"	34'-10 3/4"	14'-6 1/2"	14'-6 1/2"
4	14'-6 1/2"	34'-10 3/4"	34'-10 3/4"	14'-6 1/2"
5	21'-6 1/4"	11'-4 1/2"	21'-6 1/4"	28'-2 3/4"
6	29'-8 1/2"	22'-1 3/4"	9'-10 3/4"	22'-1 3/4"
7	31'-11 1/4"	28'-11 3/4"	10'-10"	17'-3 1/4"
8	24'-9 1/2"	15'-11 1/4"	15'-10 3/4"	24'-9 1/4"
9	15'-10 3/4"	15'-11 1/4"	24'-9 1/2"	24'-9 1/4"
10	10'-10"	28'-11 3/4"	31'-11 1/4"	17'-3 1/4"
11	17'-3 1/4"	31'-11 1/4"	28'-11 3/4"	10'-10"
12	28'-11 3/4"	31'-11 1/4"	17'-3 1/4"	10'-10"
13	22'-9 1/4"	22'-10"	17'-2 3/4"	17'-2"
H1	15'-7 3/4"	15'-7 3/4"	25'-2 3/4"	25'-2 3/4"
H2	7'	28'-10 1/4"	35'	21'
S1	32'-8 3/4"	18'-0 1/4"	10'-0 1/4"	29'-1 1/4"
S2	18'-0 1/4"	32'-8 3/4"	29'-1 1/4"	10'-0 1/4"
A	-	28'	39'-7 1/4"	28'