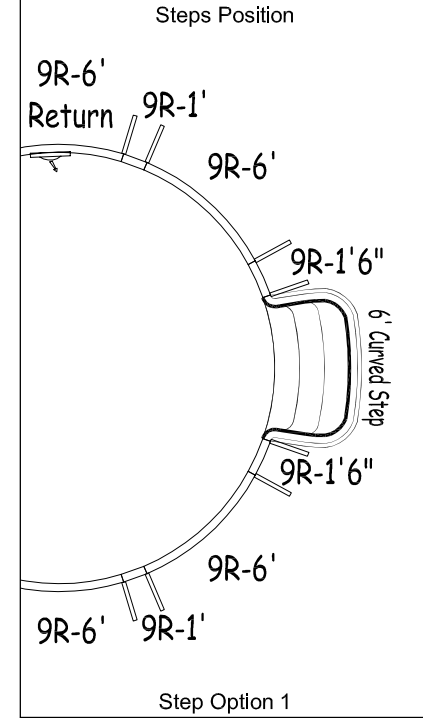
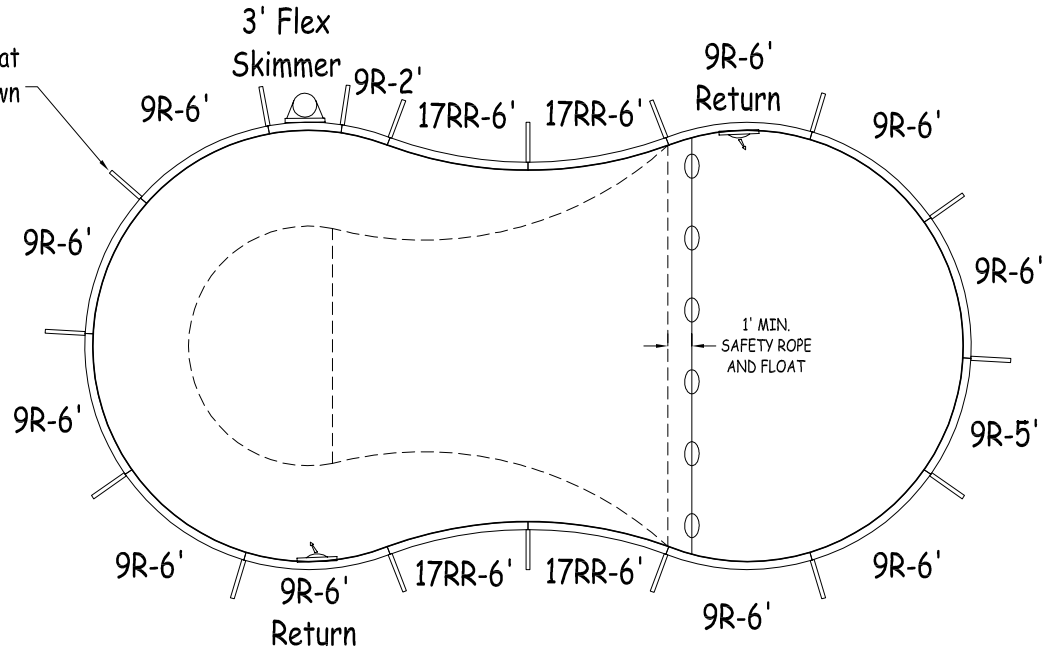
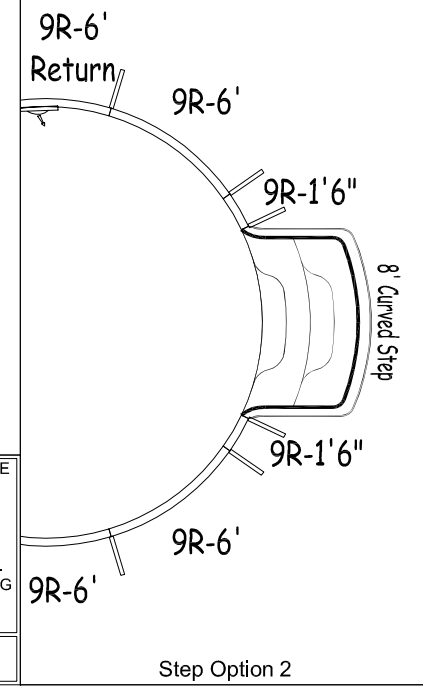
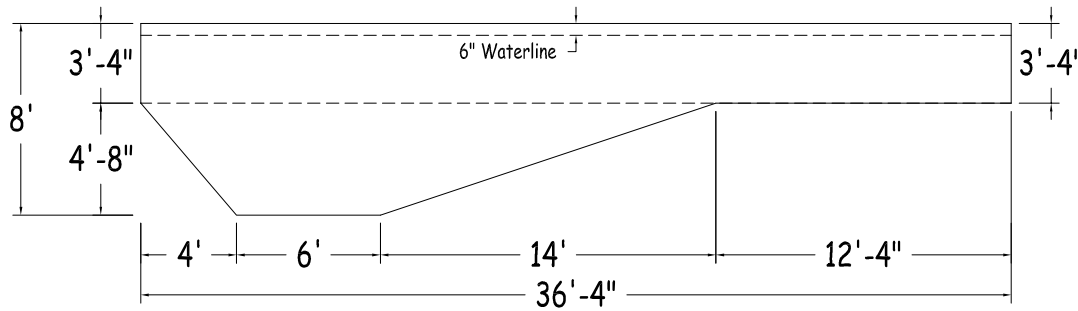


Add A-frame at panel joints as shown



Step Option 1



Step Option 2



KAFKO POOL PRODUCTS	
STEEL	
DWG #:	KAF800S1836-10
PART# :	F800S1836

FIGURE 8 18' x 36'			
PERIMETER:	94'	VOLUME (US Gal):	18 900
AREA (SqFt):	550	VOLUME (Litres):	71 400
LINER AREA (SqFt):	654	DATE:	01/Jan/2010
SAFETY COVER (SqFt):	826	SCALE:	1/8" = 1'-0"

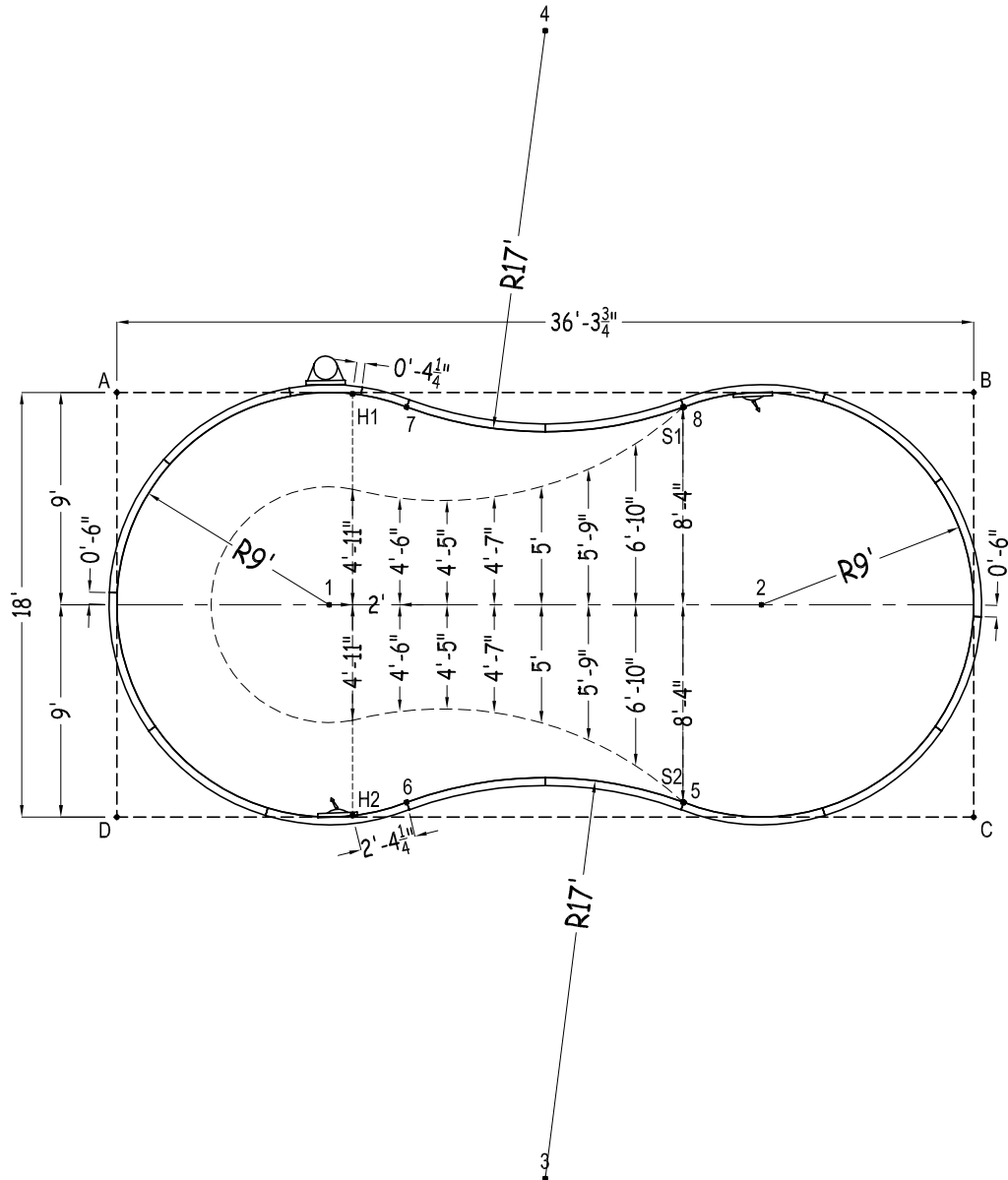


DIVING/SLIDING EQUIPMENT SHALL BE DESIGNED FOR SWIMMING POOLS AND SHALL BE INSTALLED IN ACCORDANCE WITH THE DIVING/SLIDING EQUIPMENT MANUFACTURER'S SPECIFICATIONS. PLEASE CONTACT THE DIVING/SLIDING EQUIPMENT MANUFACTURER FOR THEIR SPECIFICATIONS.

MEETS DEPTH AND SHAPE MINIMUM STANDARD ANSI/NSPI5-2003

FIGURE 8

Center To Center	
1 To 2	18'-3 3/4"
1 To 3	26'
1 To 4	26'
2 To 3	26'
2 To 4	26'
Diagonals	
H1 To S2	22'-3 1/4"
S1 To H2	22'-3 1/4"
H1 To H2	17'-10 3/4"
S1 To S2	16'-8 3/4"
5 To 7	20'-5 1/2"
5 To 8	16'-9"
6 To 7	16'-9"
6 To 8	20'-5 1/2"



2010

No Step
Option 1
Option 2

Part number	Description	Qty	Qty	Qty
RA0721081X	9R-6' Plain	8	7	7
RA0721081*	9R-6' Return	2	2	2
RA0601081X	9R-5' Plain	1	-	-
RA0241080X	9R-2' Plain	1	1	1
RA0181080X	9R-1'6" Plain	-	2	2
RA0121080X	9R-1' Plain	-	2	-
RA036FLX0*	3' Flex Skimmer	1	1	1
RR0722041X	17RR-6' Plain	4	4	4
XXX-XXX	Panel Brace	17	20	18
IPC-HDWSTRT150	Hardware, Straight 150 Pack	2	2	2
IPC-STKPK25	Rebar Stake, 18" 25 Pack	2	2	2
	6ft Curved Step	-	1	-
	8ft Curved Step	-	-	1

	A	B	C	D
1	12'-8 3/4"	28'-9 1/4"	28'-9 1/4"	12'-8 3/4"
2	28'-9 1/4"	12'-8 3/4"	12'-8 3/4"	28'-9 1/4"
3	37'-11 1/2"	37'-11 1/2"	23'-9 1/4"	23'-9 1/4"
4	23'-9 1/4"	23'-9 1/4"	37'-11 1/2"	37'-11 1/2"
5	29'-8"	21'-3 1/2"	12'-3 1/2"	24'-0 1/2"
6	21'-3 1/2"	29'-8"	24'-0 1/2"	12'-3 1/2"
7	12'-3 1/2"	24'-0 1/2"	29'-8"	21'-3 1/2"
8	24'-0 1/2"	12'-3 1/2"	21'-3 1/2"	29'-8"
H1	10'	26'-3 3/4"	31'-10 1/4"	20'-6 1/2"
H2	20'-6 1/2"	31'-10 1/4"	26'-3 3/4"	10'
S1	24'	12'-4"	21'-3 1/2"	29'-7 1/2"
S2	29'-7 1/2"	21'-3 1/2"	12'-4"	24'
A	-	36'-3 3/4"	40'-6 1/2"	18'

FIGURE 8 18' x 36'

DWG #: KAF800S1836-10

DATE: 01/Jan/2010

SHEET: 2 OF 2