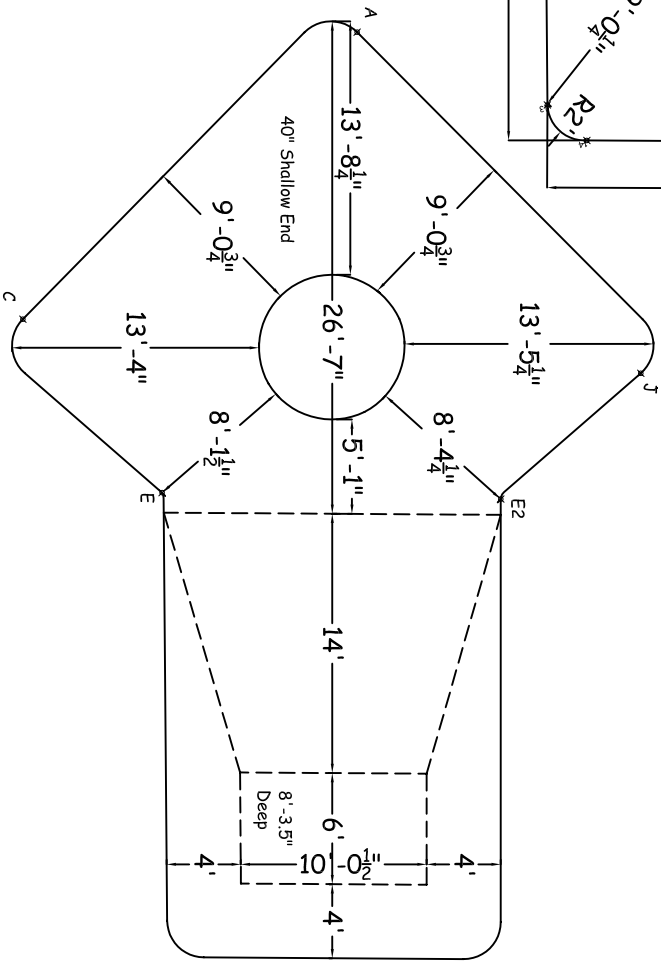
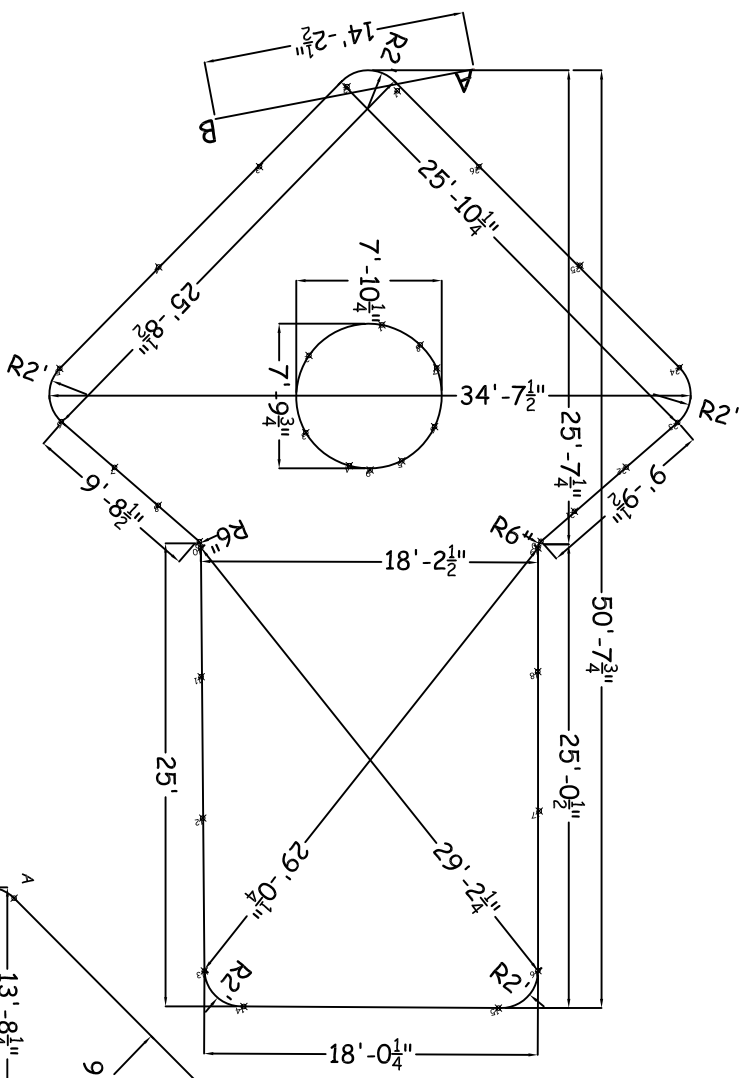


IS THE A-B LINE IN THE CORRECT POSITION?
 ARE THE A & B POINTS IN THE CORRECT ORIENTATION?
 IS POOL IN THE CORRECT DIRECTION?
 IF NOT, HOW SHOULD IT LOOK?

TITLE: ****
 FLOOR: ****

THIS DRAWING IS FOR PLOT ONLY.
 PLEASE SEND APPROVED DRAWING BACK
 TO OUR CUSTOMER SERVICE DEPT.
 FAX: (888) 228-2217



LINER PLOT

DWG#: 09US-0972

PO#: **** TFFF#: **** PERIMETER: 139'-6"

CUSTOMER: Penguin Pools LINER AREA(SQFT): 1085 DATE: 9-4-09

REF: Lincoln COVER AREA(SQFT): 1280 DESIGNER#: 40

KAFKO MANUFACTURING SHEET: 1 OF 1

Preliminary Drawing Only
 Approval required for completion of design.
 PLEASE EXPEDITE RESPONSE:
 Delayed response will cause extended delivery time.