

Steel
Kidney 20' x 40' Right

DWG #:
KACRS42-2040-8'H_07R
VOLUME (US Gal): 25 500
VOLUME (Litres): 96 500

AREA (SqFt):	746	PERIMETER:	106'
LINER AREA (SqFt):	800	DATE:	1/01/2007
SAFETY COVER (SqFt):	1140	SCALE:	1/8" = 1'



DIVING/SLIDING EQUIPMENT SHALL BE DESIGNED FOR SWIMMING POOLS AND SHALL BE INSTALLED IN ACCORDANCE WITH THE DIVING/SLIDING EQUIPMENT MANUFACTURER'S SPECIFICATIONS. PLEASE CONTACT THE DIVING/SLIDING EQUIPMENT MANUFACTURER FOR THEIR SPECIFICATIONS.

MEETS DEPTH AND SHAPE MINIMUM STANDARD ANSI/NSPI5-2003

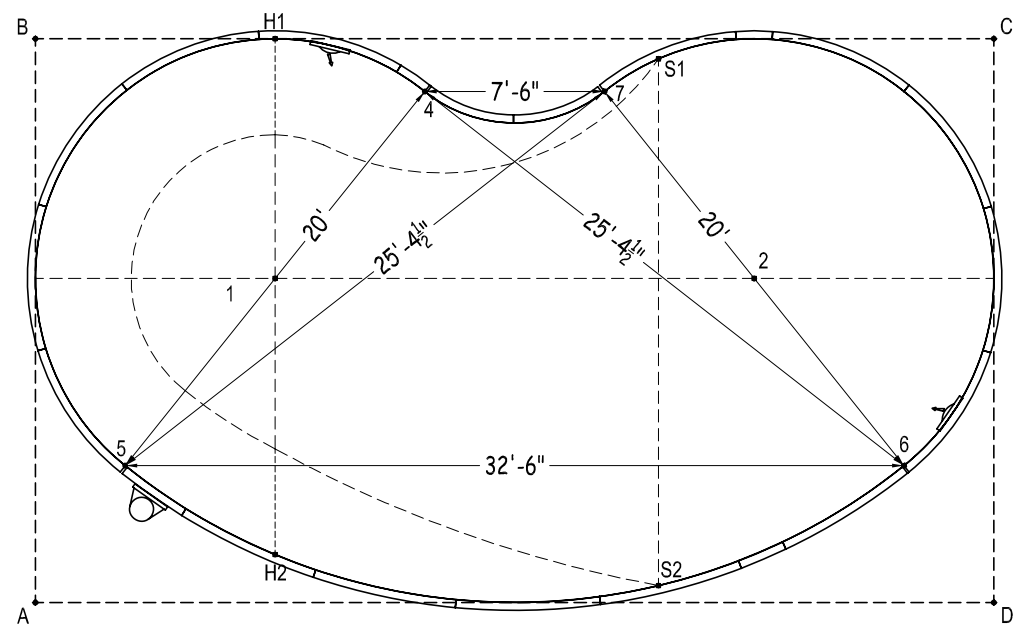
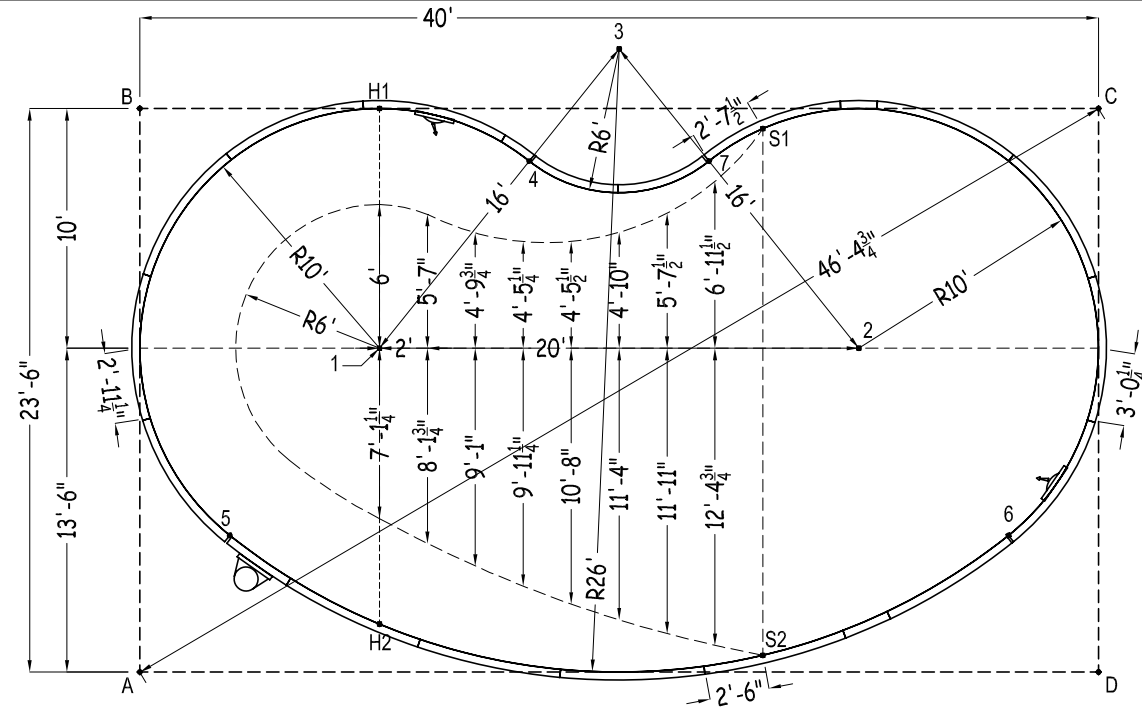
Kidney

8' Step Option

2007

No Step
6' Step
8' Step

Part number	Description	Qty	Qty	Qty
02-CP06A-26	26R-6'	5	5	5
02-CP02A-26	26R-2'	1	1	1
02-CP06A-10	10R-6'	8	7	6
02-CI06A-10	10R-6' Inlet	2	2	2
02-CP04A-10	10R-4'	-	-	1
02-CP01M-10	10R-1'6"	2	2	2
02-RP04A-06	B-4'	2	2	2
02-CK03A-00	3' Flex Skimmer	1	1	1
	6' Curve Step	-	1	-
	8' Kafko Curve Step	-	-	1
A-Frame	A-Frame Multiplier	21	21	21
15-0632-9	Optional Deck Supports	53	51	50



	A	B	C	D
1	16'-9 3/4"	14'-1 3/4"	31'-7 1/2"	32'-10 3/4"
2	32'-10 3/4"	31'-7 1/2"	14'-1 3/4"	16'-9 3/4"
3	32'-9 3/4"	20'-1 3/4"	20'-1 3/4"	32'-9 3/4"
4	26'-9 3/4"	16'-4 3/4"	23'-10 1/4"	31'-11"
5	6'-10"	18'-2 1/4"	40'-4 3/4"	36'-8 1/4"
6	36'-8 1/4"	40'-4 3/4"	18'-2 1/4"	6'-10"
7	31'-11"	23'-10 1/4"	16'-4 3/4"	26'-9 3/4"
H1	25'-6 1/2"	10'	30'	38'-1 1/4"
H2	10'-2 1/2"	23'-8 3/4"	36'-11"	30'-0 3/4"
S1	34'-6"	26'-0 1/4"	14'-0 1/4"	26'-7 3/4"
S2	26'	34'-7"	26'-9 1/4"	14'-0 1/4"
A	-	23'-6"	46'-4 3/4"	40'