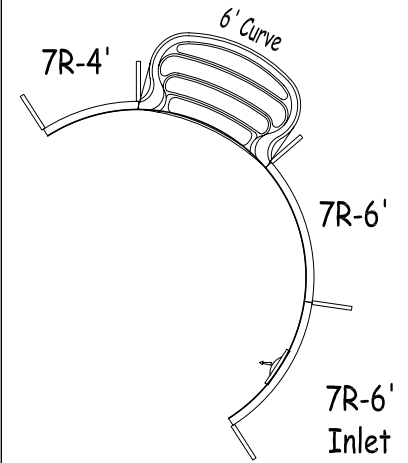
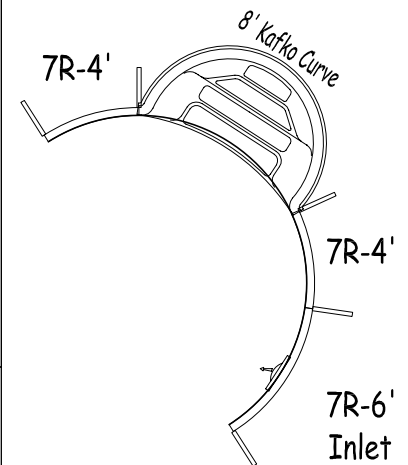


Steps Position



6' Step Option



8' Step Option



Steel

**Kidney 14' x 28' Right**

DWG #: KACRS42-1428-6'H\_07R

VOLUME (US Gal): 10 900

VOLUME (Litres): 41 100

AREA (SqFt): 361

LINER AREA (SqFt): 392

SAFETY COVER (SqFt): 590

PERIMETER: 73'-7"

DATE: 1/01/2007

SCALE: 1/8" = 1'



**Feet First**

**NON-DIVING POOL**

**USE OF DIVING EQUIPMENT IS PROHIBITED**

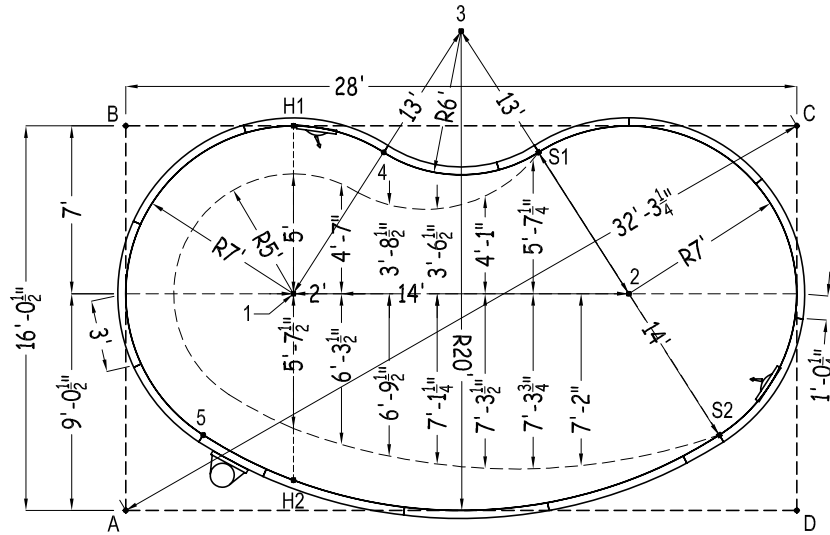
MEETS DEPTH AND SHAPE MINIMUM STANDARD ANSI/NSPI5-2003

**Kidney**

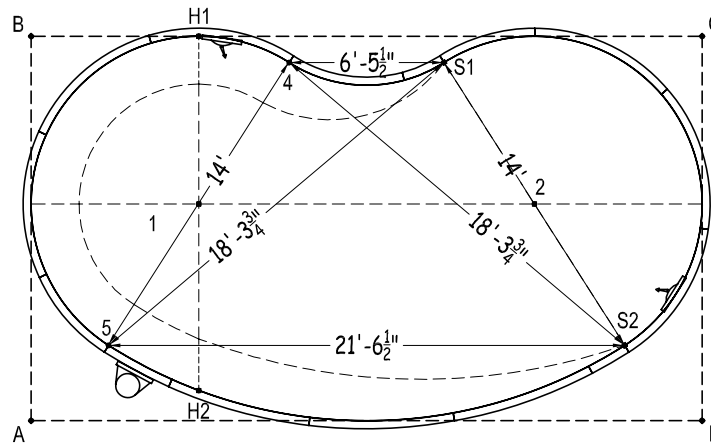
# 2007

No Step  
6' Step  
8' Step

Part number	Description	Qty	Qty	Qty
02-CP06A-20	20R-6'	3	3	3
02-CP01T-20	20R-1'9"	1	1	1
02-CP06A-07	7R-6'	4	3	2
02-CI06A-07	7R-6' Inlet	2	2	2
02-CP04A-07	7R-4'	2	2	3
02-RP05A-06	B-5'	1	1	1
02-RP01W-06	B-1'10"	1	1	1
02-CK03A-00	3' Flex Skimmer	1	1	1
	6' Curve Step	-	1	-
	8' Kafko Curve Step	-	-	1
A-Frame	A-Frame Multiplier	15	15	15
15-0632-9	Optional Deck Supports	36	34	33



3



	A	B	C	D
1	11'-5 1/4"	9'-10 3/4"	22'-1 3/4"	22'-10 1/2"
2	22'-10 1/2"	22'-1 3/4"	9'-10 3/4"	11'-5 1/4"
3	24'-5"	14'-6 1/2"	14'-6 1/2"	24'-5"
4	18'-5"	10'-10"	17'-3 1/4"	22'-9 3/4"
5	4'-6"	13'-3 1/2"	27'-11"	24'-11 1/2"
H1	17'-6"	7'	21'	26'-5 1/4"
H2	7'-1 1/4"	16'-4 1/4"	25'-8 1/4"	21'-0 1/2"
S1	22'-9 3/4"	17'-3 1/4"	10'-10"	18'-5"
S2	24'-11 1/2"	27'-11"	13'-3 1/2"	4'-6"
A	-	16'-0 1/2"	32'-3 1/4"	28'